

# VARIABLE MULCHER QUICK START GUIDE



This Auger Torque quick start guide will enable you to get your new product up and running in no time. The complete operators manual is available on the Auger Torque website. To download a copy in pdf format, simply scan the QR code or visit [www.augertorque.com](http://www.augertorque.com).

99-95525004 - ISSUE 1-0

ENGLISH

For warranty purposes this product **MUST** be registered with Auger Torque within 14 days of purchase by the end user.



## MOUNTING OPTIONS

### Double Pin Hitch

**NOTE:** If a quick Hitch is fitted to the parent machine, refer to the quick Hitch manufacturer's installation instructions for correct fitting procedure. Hitches are available with fixed pins.

**FITTING** ensure all components are greased on assembly:

Set the Mulcher unit horizontally, with the side panel towards the parent machine as in (Fig A).

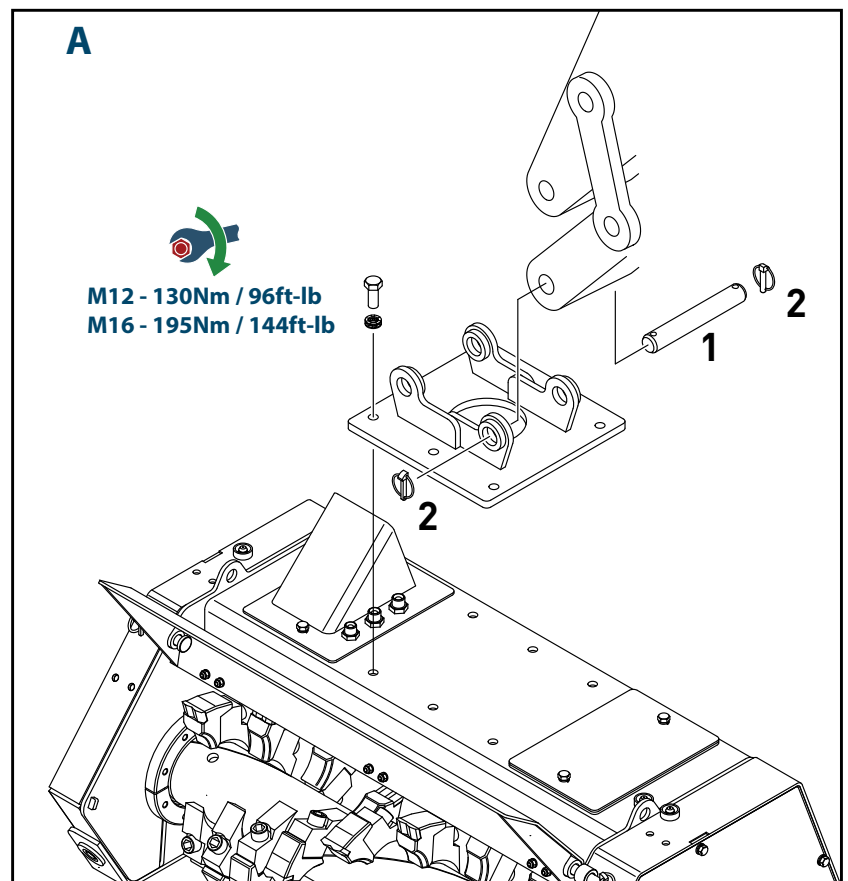
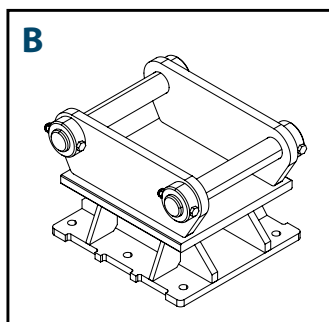
- Place the Hitch on top of the mulcher unit and align the six fixing holes.
- Fit bolts and washers
- Torque bolts to:-

M12 - 130 Nm / 96 ft-lbs

M16 - 195 Nm / 144 ft-lbs

To attach a **Linch Pin** fitting (Fig A, item 1), align the Pin holes, push the Pin (1) fully home and fit a linch Pin (2) at each end.

For additional clearance of the hydraulic hoses, we recommend using a Raiser Plate (B).



## Skid Steer Loader

1) Fit Mounting Frame to the rear of the Mulcher Unit as in (Fig A, item 1).

Fit bolts and washers. Torque bolts to:-

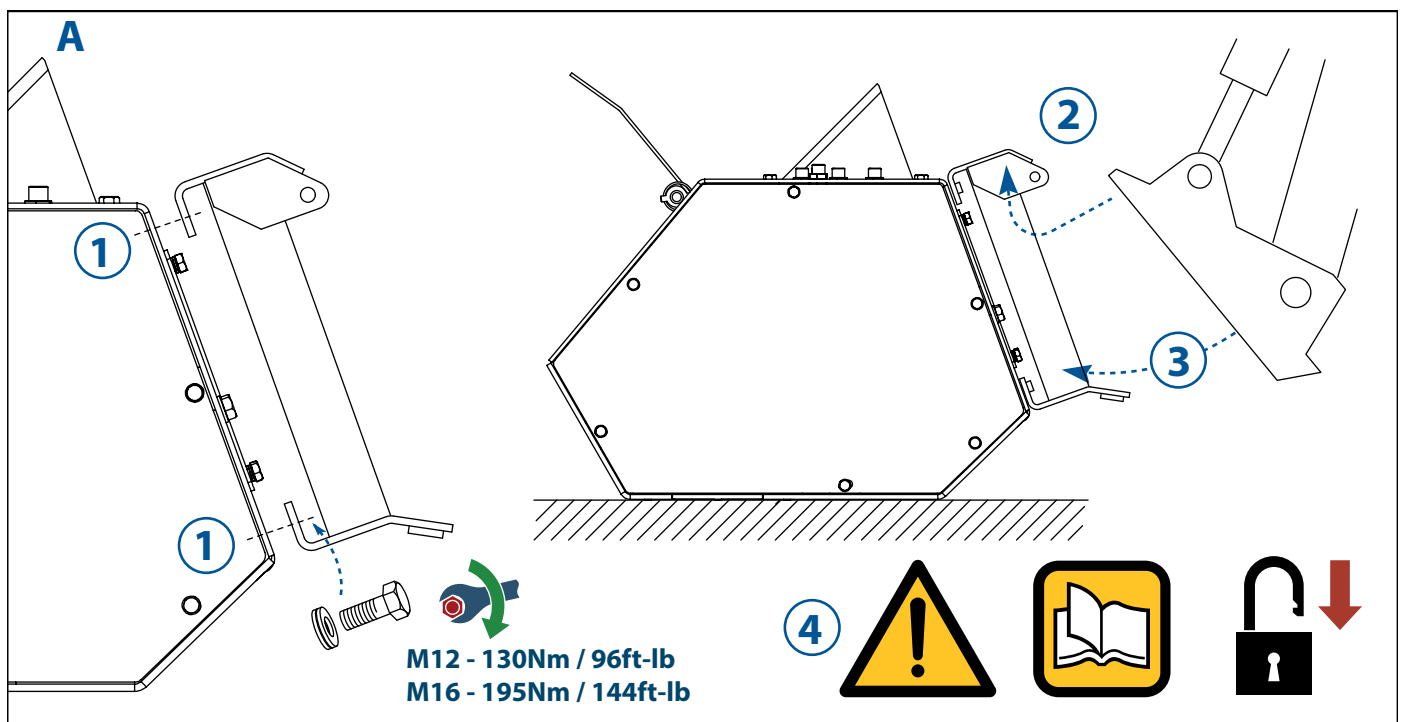
M12 - 130 Nm / 96 ft-lbs

M16 - 195 Nm / 144 ft-lbs

2) Slot the top of the parent machine frame under the top edge of the Mounting Frame or Locating Hooks (refer to parent machine operator's manual).

3) Swing the parent machine frame to the vertical position.

Following the parent machine operator's manual, ensure that the Mounting Frame is securely locked in place.



## HYDRAULIC CONNECTIONS

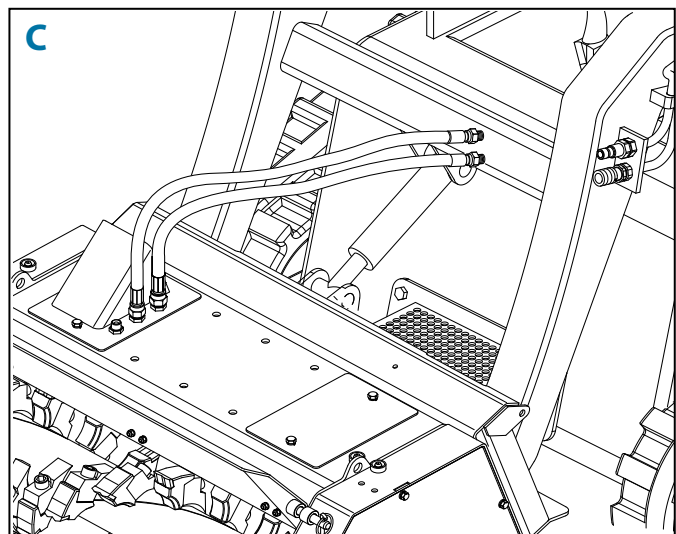
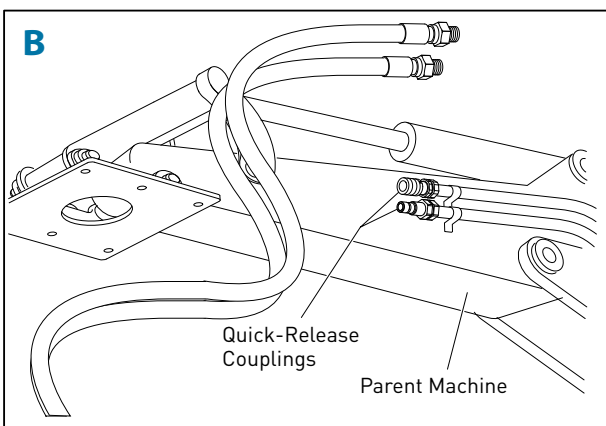
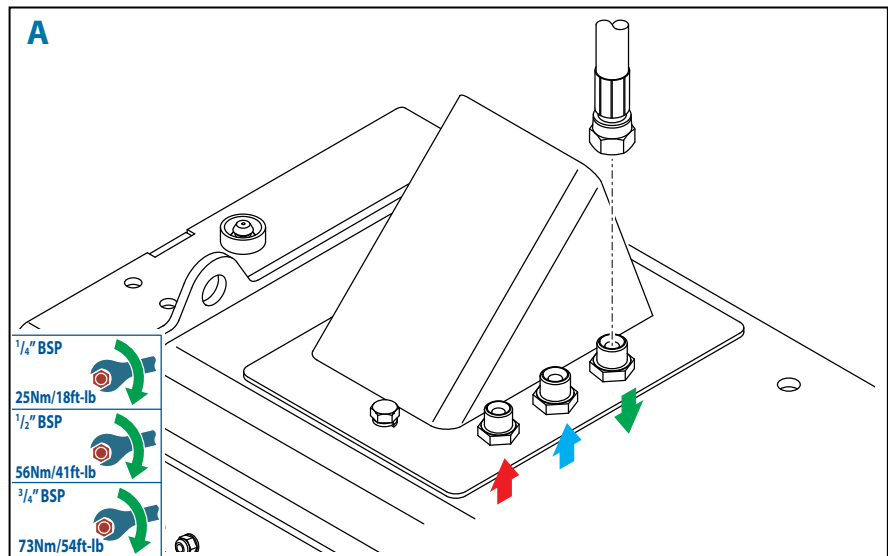
### WARNING:

Hydraulic fluid under pressure can penetrate the skin or eyes and cause serious personal injury, blindness or death. Fluid leaks under pressure may not be visible. Use a piece of card or wood to find leaks. **DO NOT** use your bare hands. Wear safety goggles to protect your eyes. If any fluid is injected into the skin, it **MUST** be surgically removed. Seek immediate medical attention.

All Auger Torque Mulcher Units require a 'flow' and 'return' of hydraulic oil from the parent machine's auxiliary hydraulic power supply and a free flow return to tank for the case drain to operate.

When fitting hydraulic hoses, ensure that they are tightened to the correct torque for the hose fittings (Fig A).

Quick Release Couplers are required for connection to the parent machine, but may not be supplied with the unit. These can be sourced locally and should be compatible with the auxiliary hydraulic Quick Release Couplers on the parent machine (Figs B & C). The parent machine auxiliary hydraulic connections are normally located near the end of the loader arms, excavator dipper.



## Case Drain Line Connection

All of the Mulchers must be fitted with a case drain line.

The bulkhead fitting on the top plate of the mulcher must be connected to a line that returns to the machine's hydraulic fluid reservoir. The parts required to complete this circuit will vary, depending on the machine and the hydraulic equipment fitted. Consequently, case drain hose fittings are not supplied with the Mulcher and must be sourced separately.

When fitting a case drain line, there must be no restrictions to the flow between the Mulcher and the reservoir. You **MUST NOT** use quick release couplings.

