



99-95525001 - ISSUE 3-1

ENGLISH

MULCHER VM1000, VM1500 OPERATORS MANUAL



www.augertorque.com

INDEX

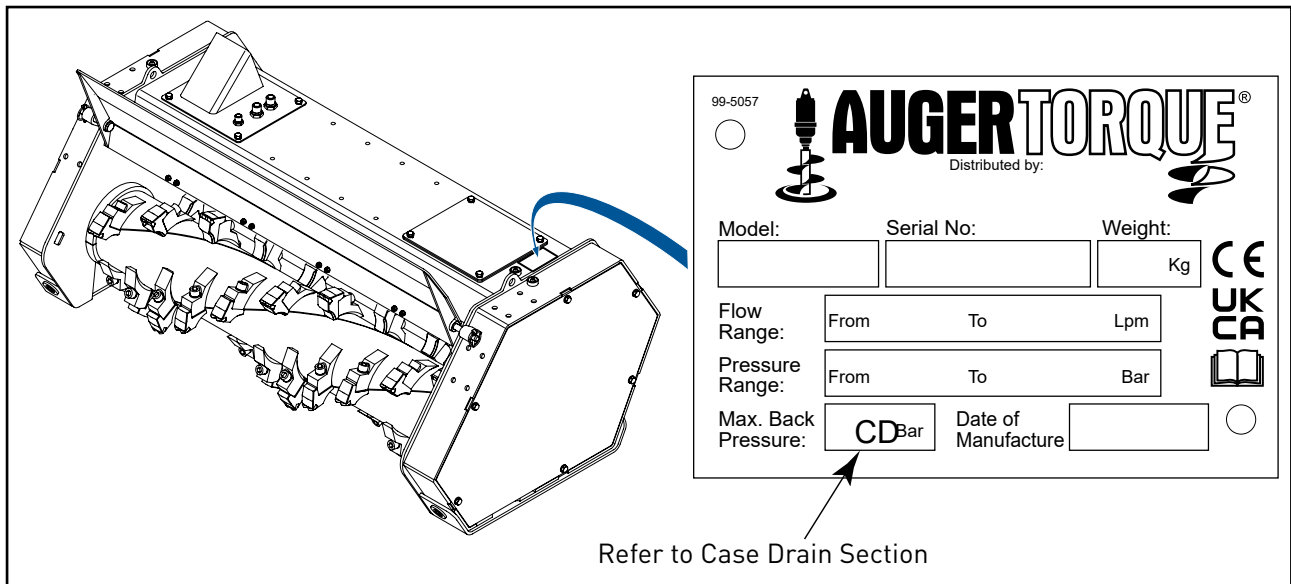
FOREWORD	4
Enquiries	4
Operating Limits	4
The Machinery Directive (European Community only)	4
Declaration Of Conformity	4
REGISTRATION	6
INTRODUCTION	9
Operator Orientation	9
SAFETY NOTES	10
Protect Yourself	10
You May Need	10
Know Your Equipment	10
Danger, Warning And Caution	10
Protective And Safety Devices	11
Check The Equipment	11
Hazard Classification (Only applicable to ANSI Safety Labels)	11
Safety Precautions	12
Safety Decals	13
IDENTIFICATION	14
Typical Setup	14
SPECIFICATIONS	14
MOUNTING OPTIONS	15
Double Pin Hitch	15
Skid Steer Loader	16
HYDRAULIC CONNECTIONS	17
Case Drain Line Connection	18
Hose Specifications	18
PREPARATION	19
WORKING PROCEDURE	20
Operation	20
Excavators	20

Skid Steer Loaders	20
Stopping the Mulcher	21
TRANSPORTATION	21
Transportation On Public Highways.....	21
Transportation Within The Job Site	21
GENERAL MAINTENANCE	22
Routine Maintenance.....	22
Daily	22
Weekly.....	22
Grease Points.....	23
Replace Cutting Teeth	23
Check Belt Tension	24
Changing The Toothed Drum Assembly.....	25
TROUBLESHOOTING	27
SERVICE RECORD	28
WARRANTY STATEMENT	34

FOREWORD

Enquiries

Please state the model type and serial number when making enquiries or orders and all written correspondence. The serial number is recorded on a plate located on the top of the unit.



Operating Limits

This equipment must be operated within the parameters stated on the serial plate. Failure to do so may cause damage to the equipment and invalidate the warranty. If in doubt, contact your nearest Auger Torque dealer.

The Machinery Directive (European Community only)

The Machinery Directive 2006/42/EC (formerly 98/37/EEC) provides the harmonisation of the essential health and safety requirements for machinery, through a combination of mandatory health and safety requirements and voluntary harmonised standards. Such directives apply only to products that are intended to be placed on or put into service in the market for the first time. The manufacturer or the authorised representative must draw up a 'Declaration of Conformity'.

Declaration Of Conformity

Where units are supplied in conjunction with Auger Torque Europe Ltd manufactured mounting frames to form a Unit Assembly, Auger Torque Europe Ltd have control over the suitability of the parts supplied. To show this and meet with the lawful requirements of the Machinery Directive a Declaration of Conformity is issued and a CE mark is applied to the assembly.

(copy example follows)



Manufactured by Auger Torque Europe Limited

EU Declaration of Conformity

The responsible person:

Name	
Position	
Company Name	<i>Auger Torque Europe Ltd</i>
Address	<i>Hazelton, Cheltenham, GL54 4DX, England</i>
Telephone	<i>++44 (0) 1451 861652</i>
Fax	<i>++44 (0) 1451 861660</i>

Declares that the product described:

Manufacturer	<i>Auger Torque Europe Ltd.</i>
Model	
Serial Number	

Conforms to the Machinery Directive 2006/42/EC.

It also complies with the essential health and safety requirements, national standards and the transposed harmonised standards appropriate for this product.

Signed by:
(The responsible person)

Dated

REGISTRATION

Complete this form and keep it with the manual



Auger Torque Europe Ltd
Hazleton
Cheltenham
GL54 4DX
England
Tel:+44(0)1451 861652
Fax:+44(0)1451 861660
Email: sales@augertorque.com

Auger Torque Australia Pty Ltd
122 Boundary Rd
Rocklea
Queensland 4106
Australia
Tel:+61(0)7 3274 2077
Fax:+61(0)7 3274 5077
Email: sales@augertorque.com.au

Auger Torque USA LLC
2640 Jason Industrial Parkway
Winston, GA 30187
USA
Tel: (+1) 844 287 6300
Fax: (+1) 770 947 9916
Email: sales@augertorqueusa.com

MODEL NUMBER:

SERIAL NUMBER:

DATE OF MANUFACTURE:

SUPPLIER / DEALER:

DATE SOLD TO SUPPLIER / DEALER:

DATE SOLD TO ORIGINAL END USER:

OWNER OR OPERATOR:

PARENT MACHINE MAKE & MODEL:

Note; Always quote the serial number in any communication with your supplier / dealer

REGISTRATION

For warranty purposes this form **MUST** be completed and returned to Auger Torque within 14 days of purchase by the end user.



Auger Torque Europe Ltd
Hazleton
Cheltenham
GL54 4DX
England
Tel: +44(0)1451 861652
Fax: +44(0)1451 861660
Email: sales@augertorque.com

Auger Torque Australia Pty Ltd
122 Boundary Rd
Rocklea
Queensland 4106
Australia
Tel: +61(0)7 3274 2077
Fax: +61(0)7 3274 5077
Email: sales@augertorque.com.au

Auger Torque USA LLC
2640 Jason Industrial Parkway
Winston, GA 30187
USA
Tel: (+1) 844 287 6300
Fax: (+1) 770 947 9916
Email: sales@augertorqueusa.com

MODEL NUMBER:

SERIAL NUMBER:

DATE OF MANUFACTURE:

SUPPLIER / DEALER:

DATE SOLD TO SUPPLIER / DEALER:

DATE SOLD TO ORIGINAL END USER:

OWNER OR OPERATOR:

PARENT MACHINE MAKE & MODEL:

Note; Always quote the serial number in any communication with your supplier / dealer

For warranty purposes the form on the reverse of this page should be completed and returned to the appropriate address.

Auger Torque Europe Ltd
Hazleton
Cheltenham
GL54 4DX
England
Tel:+44(0)1451 861652
Fax:+44(0)1451 861660
Email: sales@augertorque.com

Auger Torque Australia Pty Ltd
122 Boundary Rd
Rocklea
Queensland 4106
Australia
Tel:+61(0)7 3274 2077
Fax:+61(0)7 3274 5077
Email: sales@augertorque.com.au

Auger Torque USA LLC
2640 Jason Industrial Parkway
Winston, GA 30187
USA
Tel: (+1) 844 287 6300
Fax: (+1) 770 947 9916
Email: sales@augertorqueusa.com

Just fill in the details on the back and post it to us,

INTRODUCTION

Auger Torque thanks you for purchasing your new product. This operating manual has been prepared to enable you to operate the equipment in a safe manner.

Auger Torque Mulcher Units have been designed for use with specific Auger Torque mounting frames, hitches and Auger Torque wear parts. Provided these are used and maintained correctly, they will provide a safe and reliable operation.

**For information on lubrication and maintenance intervals, see pages 22.
Before operating the Mulcher, please note:**

Hydraulic hoses must be fitted and tightened to the correct torque (see page 17 & 18).

NOTE:

This operating manual should be used in conjunction with the parent machine's operating instructions.

Instruction books should be regarded as part of the machine. They should always be kept safe with the machine for easy and quick reference.

New or extra copies can be obtained from your Auger Torque dealer or direct from Auger Torque.

Operator Orientation

The directions left, right, front and rear, which may be mentioned throughout this manual, are as seen from the driver's seat and facing in the direction of travel.

Auger Torque continually strives to improve and increase its range of products and therefore reserves the right to alter its specifications at any time without notice or obligation. The company accepts no responsibility for discrepancies which may occur between specifications of its machines and descriptions thereof contained in its publications.

SAFETY NOTES

Protect Yourself

Make sure you wear protective clothing and personal safety items.

You May Need

- A Hard Hat
- Safety Goggles
- Hearing Protection
- Foul Weather Clothing
- Reflective Clothing
- Protective Gloves
- Safety Boots

DO NOT wear items of loose clothing, jewellery or other items and tie up any long hair which could entangle in the controls or other parts of the machine.

Know Your Equipment

Get to know all you how to operate all controls on the machine and the attachments

IF THERE IS SOMETHING IN THE MANUAL WHICH YOU DO NOT UNDERSTAND, CONTACT THE MACHINE AGENT OR MANUFACTURER AND ASK THEM TO EXPLAIN IT TO YOU.

Danger, Warning And Caution

This symbol below has 3 important meanings when used with the following captions.



DANGER: An IMMEDIATELY HAZARDOUS situation that WILL result in DEATH or VERY SERIOUS INJURY



WARNING: A POTENTIALLY HAZARDOUS situation that COULD result in DEATH or VERY SERIOUS INJURY



CAUTION: A POTENTIALLY HAZARDOUS situation that MAY result in MINOR INJURY

Protective And Safety Devices

Keep all protective devices in place and securely fastened. Make sure all guards, shields and safety signs are properly installed and are in good condition.

Check The Equipment

Before you operate the equipment, take time to check your machine and ensure that all systems are in good operational order.

- Never operate the equipment with worn, damaged or missing parts. Use only genuine replacement parts.
- Always ensure that the parent machine is secure and stable with its engine switched off and hydraulic pipes disconnected before carrying out any maintenance work.
- Check for loose, broken, missing or damaged parts. Have everything put into good repair and make sure all safety devices are in place.
- Perform all maintenance procedures outlined for the equipment.
- Always protect hands. Select appropriate gloves when handling the equipment during fitting, removing or adjusting.
- Always protect feet with safety boots.



WARNING: Hydraulic fluid under pressure can penetrate the skin or eyes and cause serious PERSONAL INJURY, BLINDNESS OR DEATH. Fluid leaks under pressure may not be visible. Use a piece of wood or thick cardboard to find leaks. DO NOT USE YOUR BARE HANDS. Wear safety goggles for eye protection. If any fluid is injected into the skin, it MUST be surgically removed. SEE A DOCTOR IMMEDIATELY

Make sure all hydraulic lines are correctly installed

Before applying pressure to the hydraulic system be sure all connections are tight and that lines, pipes and hoses are not damaged. Before disconnecting hydraulic lines, be sure to relieve all pressure.

Hazard Classification (Only applicable to ANSI Safety Labels)



DANGER: IMMEDIATE HAZARD! - Failure to understand or obey this information is likely to result in personal injury or death.



WARNING: Failure to follow these instructions may result in personal injury or death.



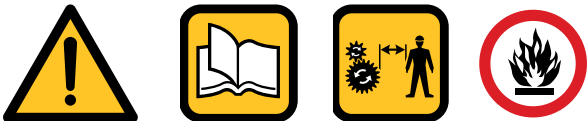
CAUTION: Failure to follow these instructions may result in minor personal injury or damage to the machine or the vehicle.



NOTICE: This is important information for the proper use of this equipment. Failure to comply may lead to premature equipment failure.

CLEAN OR REPLACE THE SAFETY LABELS IF THEY CANNOT BE CLEARLY READ OR UNDERSTOOD

Safety Precautions



NEVER operate or assemble the equipment without **fully** understanding the operating instructions of both the equipment unit and the parent machine.

Auger Torque recommends you receive dealer instruction before operating the unit.

NEVER operate the equipment unless you are in good physical condition and mental health.

NEVER operate the equipment under the influence of any substance (including drugs & alcohol) which might impair vision.

NEVER operate the equipment with worn, damaged or missing parts. Use only genuine replacement parts.

NEVER proceed with works before completing a site risks assessment immediately before commencing work. Nominating the safe work exclusion zone radius for persons and animals as part of identifying risks and implementing controls.

NEVER allow minors to operate the equipment.



ALWAYS survey the work area before commencing operations. Check for potential hazards, e.g. Electricity or communication cables etc.

ALWAYS ensure that the parent machine is secure and stable with its engine switched off before carrying out any maintenance work.

ALWAYS ensure the hydraulic oil supply to the attachment is disconnected by uncoupling the hydraulic hose connectors before fitting, removing or adjusting the equipment

ALWAYS wear head protection and eye protection when working on the unit.

ALWAYS protect hands. Select appropriate when handling the equipment during fitting, removing or adjusting the unit.

ALWAYS protect feet. Wear approved safety boots.

ALWAYS follow the parent machine instructions regarding noise protection.

STAY ALERT. Should something break, come loose or fail to operate on your equipment, STOP WORK, lower equipment to the ground, shut off the engine and lock out hydraulic supply, inspect the machine and have repairs or adjustments made before resuming operation.

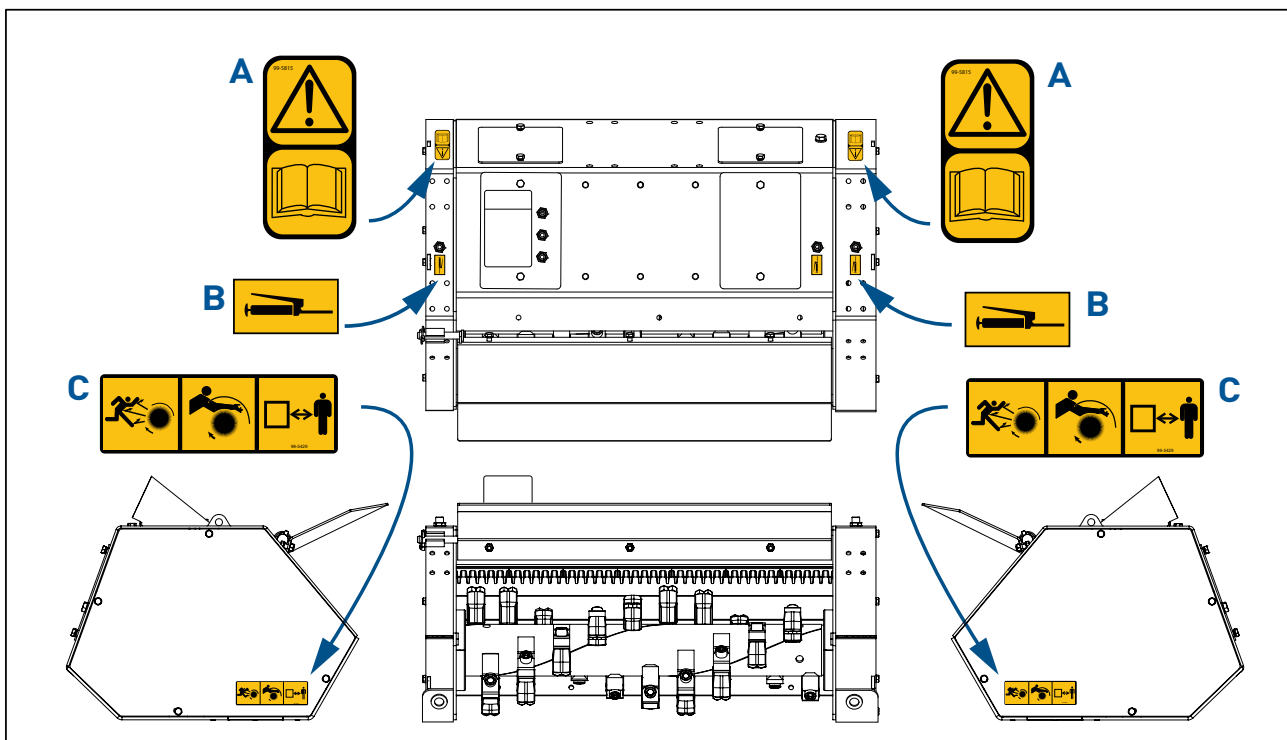
Safety Decals

ALL safety signs listed must be fitted to the machine and must be legible.

Use mild soap and water to clean safety signs - **DO NOT** use solvent based cleaners because they may damage safety sign material.

Safety signs are fitted to the machine to warn of possible hazards and **MUST** be replaced immediately if they become unreadable or lost.

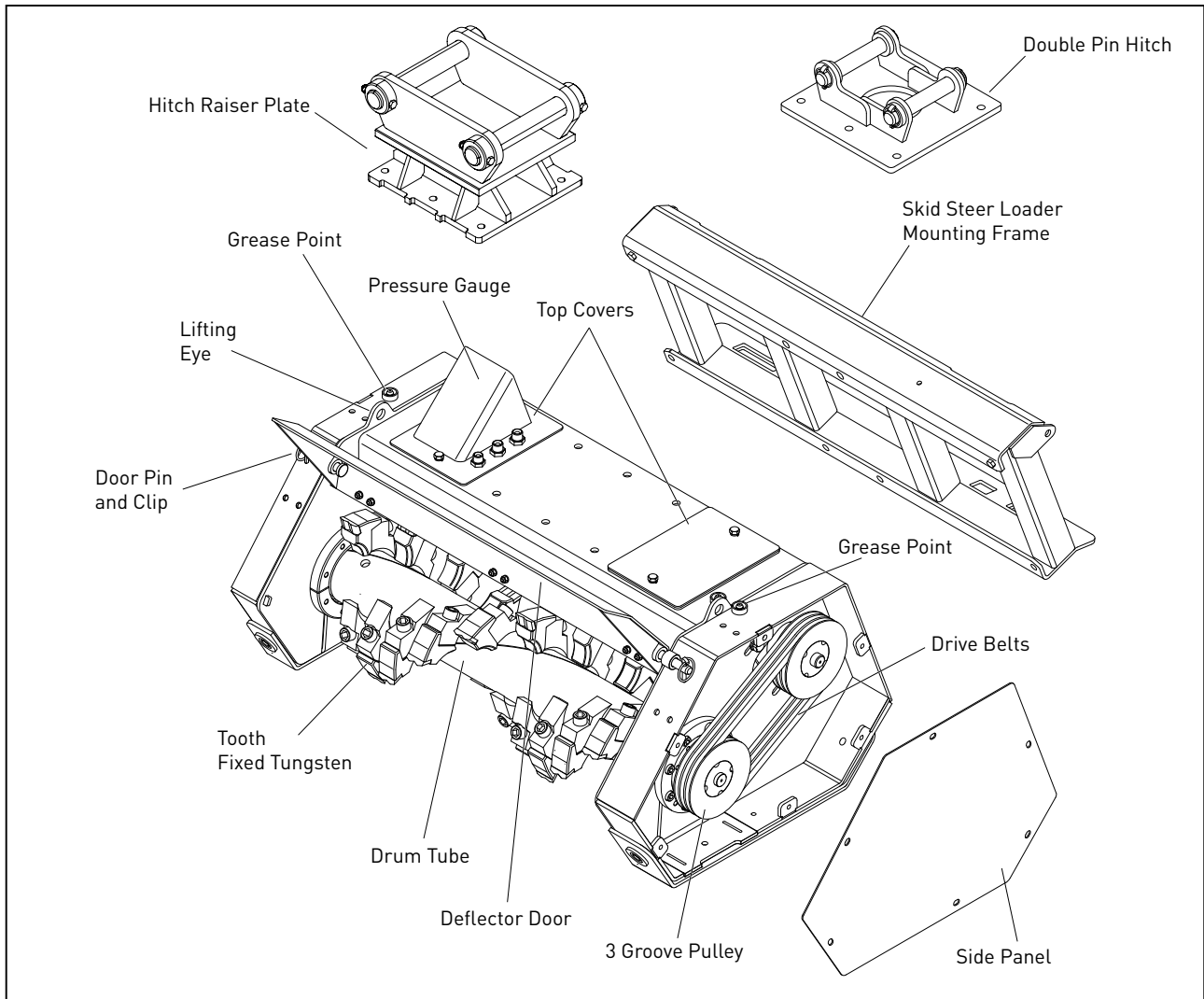
If the machine is repaired and parts have been replaced on which safety signs were fixed, ensure new safety signs are fitted before the machine is put into service.



Item	Description	Qty	Part Number
A	Read operators manual before operating machine	2	99-5815
B	Stand clear of rotating objects	2	99-5429
C	Grease points	3	99-5814

IDENTIFICATION

Typical Setup



SPECIFICATIONS

VM1000

Standard Gear Motor

Oil Pressure Range	160 - 180 BAR (2320.6 - 2610.7 psi)
Optimum Oil Pressure	180 BAR (2610.7psi)
Oil Flow Range	60 - 70 LPM (15.85 - 18.49 gpm)
Optimum Oil Flow	70 LPM (18.49 gpm)

Suitable For Excavator

5T (11023 lbs) to 10T (22046 lbs)

Skidsteer Compatible

Suitable for machines that can obtain the above pressures and flow rates

Cutting

Processes trees up to 120 mm (5 in) diameter

VM1500

Standard Piston Motor

Oil Pressure Range	220- 240 BAR (3190.8 - 3480-9 psi)
Optimum Oil Pressure	240 BAR (3480.9 psi)
Oil Flow Range	85 - 95 LPM (22.4 - 25.0 gpm)
Optimum Oil Flow	95 LPM (25.0 gpm)

Suitable For Excavator

10T (22046 lbs) to 15T (33069 lbs)

Skidsteer Compatible

Suitable for machines that can obtain the above pressures and flow rates

Cutting

Processes trees up to 250mm (10 in) diameter

MOUNTING OPTIONS

Double Pin Hitch

SAFETY FIRST



ALWAYS work in pairs (2 skilled operatives) whenever Mulcher components are being assembled or disassembled from the parent machine. Always check the weight of the attachment and ensure you have the correct equipment for handling it.



ALWAYS check parent machine:

- Is in correct working order
- Is parked correctly on flat ground
- Has its hand brake **ON**, its hydraulic circuit locked out and its engine switched **OFF**.

Check that the hitch is of the correct model and type to fit the parent machine.

Ensure hitch and attachment points are clean before fitting.

Use suitably rated lifting equipment if required (see serial plate for weight).

NOTE: If a quick Hitch is fitted to the parent machine, refer to the quick Hitch manufacturer's installation instructions for correct fitting procedure. Hitches are available with fixed pins.



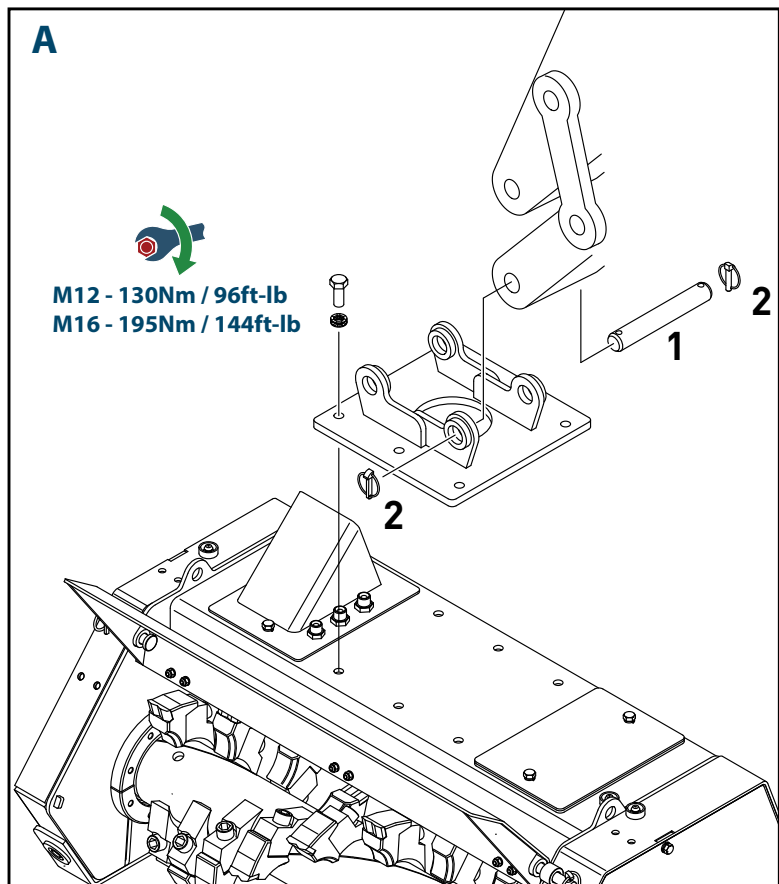
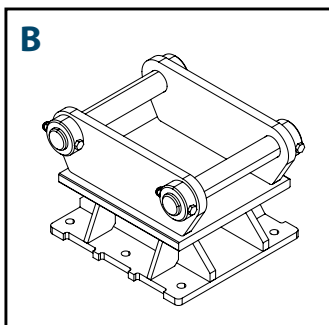
FITTING ensure all components are greased on assembly:

Set the Mulcher unit horizontally, with the side panel towards the parent machine as in (Fig A).

- Place the Hitch on top of the mulcher unit and align the six fixing holes.
- Fit bolts and washers
- Torque bolts to:
 - M12 - 130 Nm / 96 ft-lbs.
 - M16 - 195 Nm / 144 ft-lbs.

To attach a **Linch Pin** fitting (Fig A, item 1), align the Pin holes, push the Pin (1) fully home and fit a linch Pin (2) at each end.

For additional clearance of the hydraulic hoses, we recommend using a Raiser Plate (B).



Skid Steer Loader

SAFETY FIRST



ALWAYS work in pairs (2 skilled operatives) whenever Mulcher components are being assembled or disassembled from the parent machine. Always check the weight of the attachment and ensure you have the correct equipment for handling it.



ALWAYS check parent machine:

- Is in correct working order
- Is parked correctly on flat ground
- Has its hand brake **ON**, its hydraulic circuit locked out and its engine switched **OFF**.

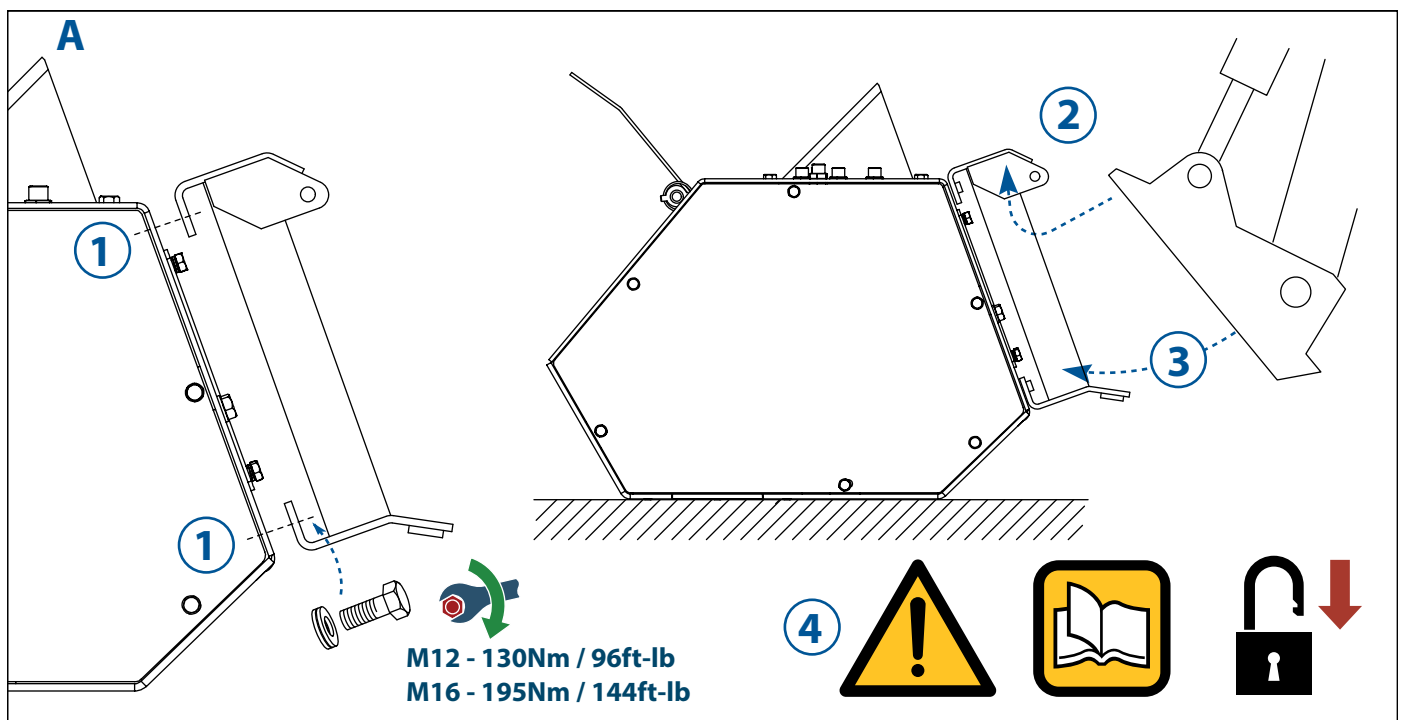
Check that the mounting frame is of the correct model and type to fit the parent machine. Ensure mounting frame and attachment points are clean before fitting. Use suitably rated lifting equipment if required (see serial plate for weight).



FITTING: Ensure all components are greased on assembly:

Fit Mounting Frame to the rear of the Mulcher Unit as in (Fig A, item 1).

- Fit bolts and washers.
 - Torque bolts to:
 - M12 - 130 Nm / 96 ft-lbs.
 - M16 - 195 Nm / 144 ft-lbs.
- 2 Slot the top of the parent machine frame under the top edge of the Mounting Frame or Locating Hooks (refer to parent machine operator's manual).
 - 3 Swing the parent machine frame to the vertical position.
 - 4 Following the parent machine operator's manual, ensure that the Mounting Frame is securely locked in place .



HYDRAULIC CONNECTIONS

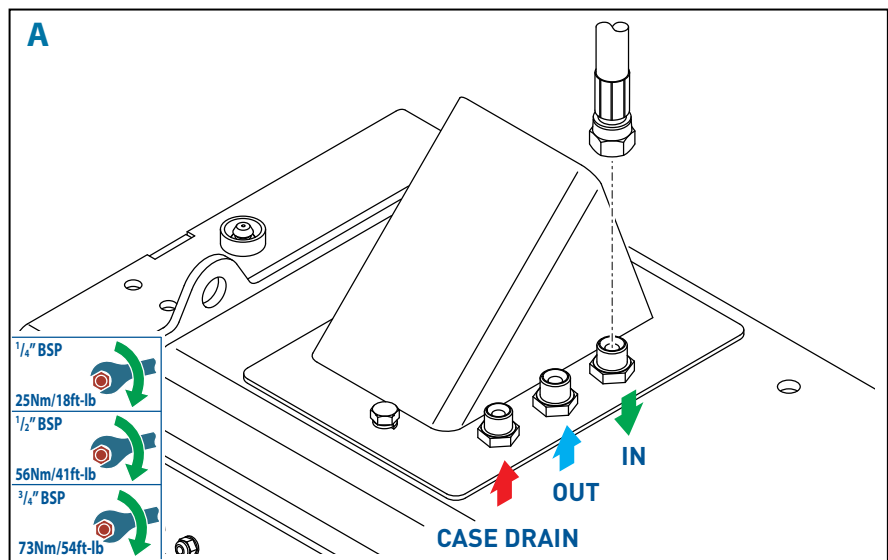


WARNING:

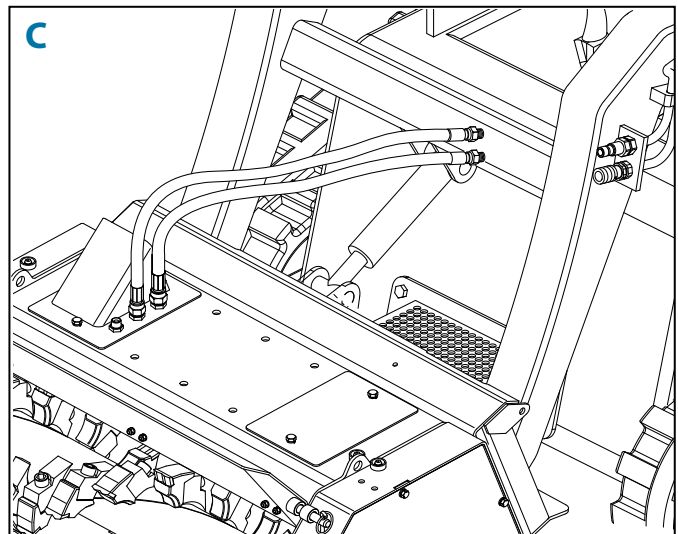
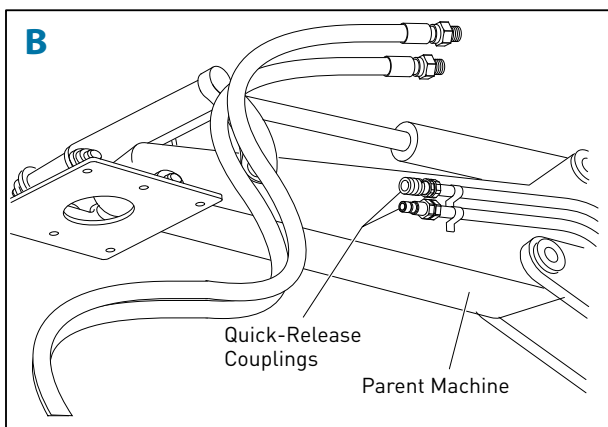
Hydraulic fluid under pressure can penetrate the skin or eyes and cause serious personal injury, blindness or death. Fluid leaks under pressure may not be visible. Use a piece of card or wood to find leaks. **DO NOT** use your bare hands. Wear safety goggles to protect your eyes. If any fluid is injected into the skin, it **MUST** be surgically removed. Seek immediate medical attention.

All Auger Torque Mulcher Units require a 'flow' and 'return' of hydraulic oil from the parent machine's auxiliary hydraulic power supply and a free flow return to tank for the case drain to operate.

When fitting hydraulic hoses, ensure that they are tightened to the correct torque for the hose fittings (Fig A).



Quick Release Couplers are required for connection to the parent machine, but may not be supplied with the unit. These can be sourced locally and should be compatible with the auxiliary hydraulic Quick Release Couplers on the parent machine (Figs B & C). The parent machine auxiliary hydraulic connections are normally located near the end of the loader arms, excavator dipper.

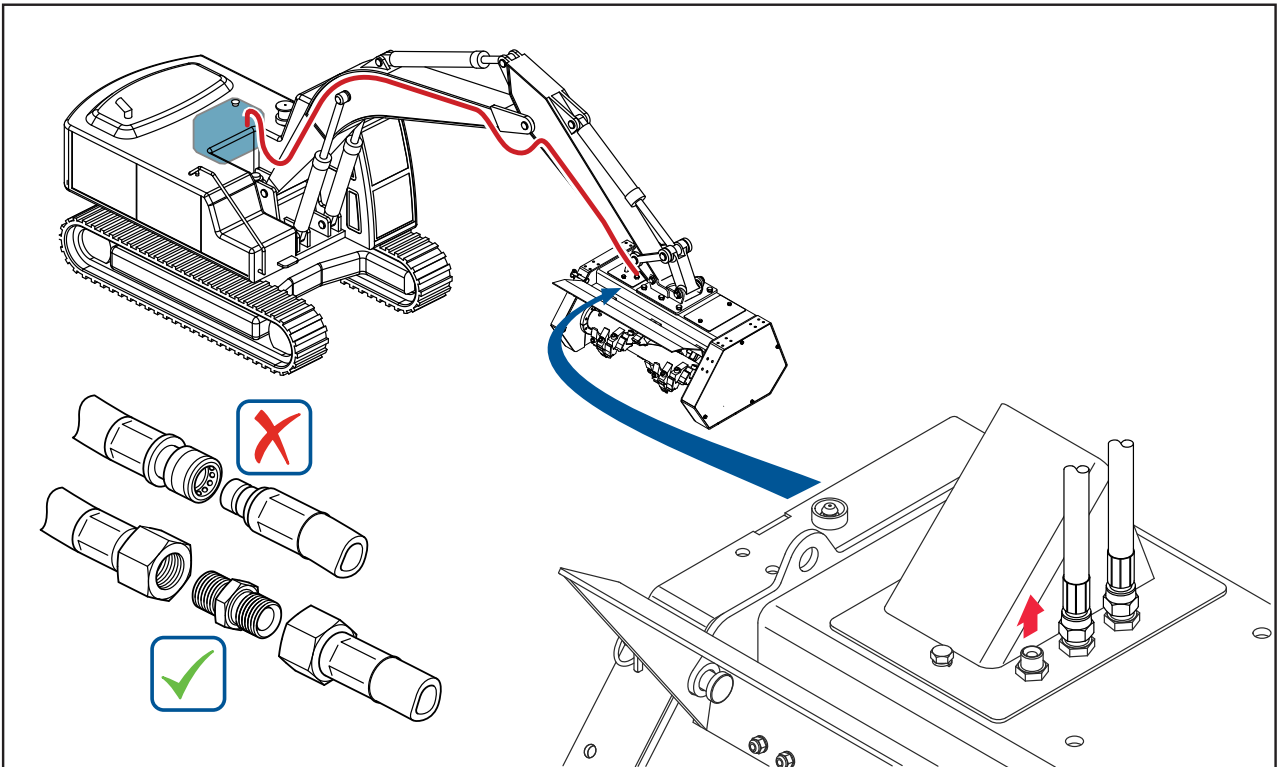


Case Drain Line Connection

All of the Mulchers must be fitted with a case drain line.

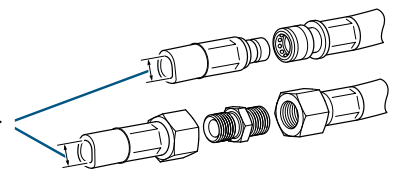
The bulkhead fitting on the top plate of the mulcher must be connected to a line that returns to the machine's hydraulic fluid reservoir. The parts required to complete this circuit will vary, depending on the machine and the hydraulic equipment fitted. Consequently, case drain hose fittings are not supplied with the Mulcher and must be sourced separately.

When fitting a case drain line, there must be no restrictions to the flow between the Mulcher and the reservoir. You **MUST NOT** use quick release couplings.



Hoses Specifications

Minimum internal diameter



Minimum hydraulic hose requirements		
Model	Minimum internal hose diameter (in/mm)	Minimum working pressure Bar/PSI
VM1000	1/2" / 12.7mm	275Bar / 3988PSI
VM1500	3/4" / 19.0mm	280Bar / 4061PSI

Replacement hydraulic hoses **MUST** be rated equal or greater than the minimum working pressure.

NOTE: When all hoses are correctly connected the Drum rotation is anticlockwise when viewed from the left hand side of the mulcher.

PREPARATION



CONSIDER the topography (e.g. risk of subsidence, slope angle, position to embankments and any previous excavation).

Block off work area from bystanders, livestock, etc. Flying debris can cause severe injury or death. The mulcher is capable of producing large amounts of flying debris in all directions.

NOTE the type of vegetation, trees and their condition to enable selection of suitable teeth and the cutting capabilities of the mulcher.

ALWAYS carry out a site survey and risk assessment **BEFORE** starting work

AVOID underground hazards, such as water / gas / electricity / communication lines etc.



OBSERVE overhead electrical and other utility lines.

Auger Torque Mulcher Units should only be used with parent machines that have an enclosed operator's station. Doors and windows **MUST** be closed when Mulcher is in use.

WORKING PROCEDURE

Before commencing work, ensure that:



The correct hoses are fitted and tightened correctly (See page17).



There are no bystanders within the nominated radius as defined in the risk assessment completed prior to commencing any works.

You operate only from the operator's station and are aware when mulching standing trees, there is a danger of the treetop falling back onto the operator's cab.

Operation

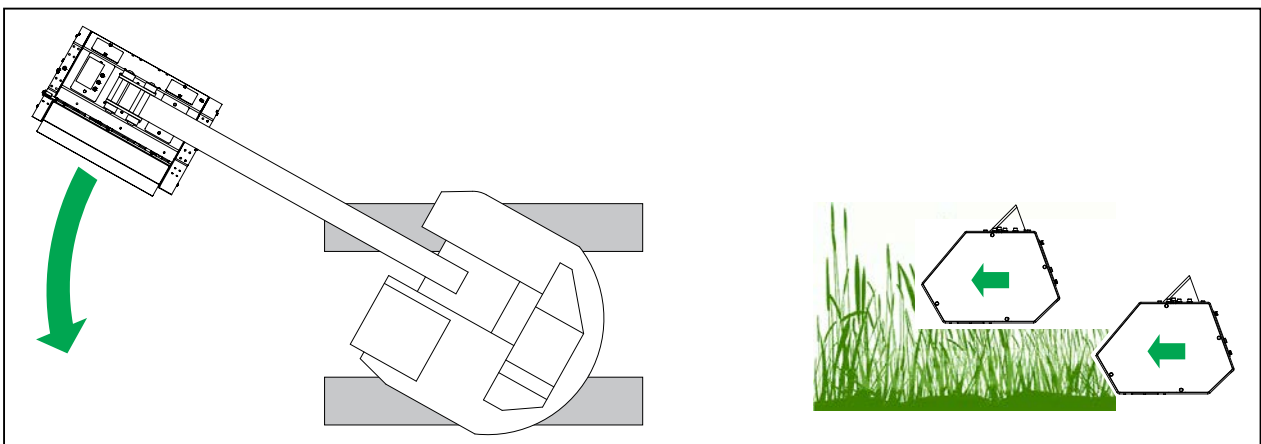
Set deflector door position, the door should be in the open position when cutting trees or working at height. It is recommended the door is in the closed position when working at ground level to prevent flying debris

- Start machine and raise mulcher off the ground.
- Set engine speed to tick over and engage mulcher hydraulics.
- Increase engine speed to full rpm.
- Visually check drum rotation (See page18)

If mulcher jams when cutting. Lower mulcher to ground, stop the engine and remove key to prevent accidental starting. Remove debris from rotor drum.

Excavators;

- When cutting trees, start at a safe operating height for your excavator and cut off the top of the tree. Position the mulcher over the tree trunk and lower the mulcher. A constant downward pressure should be maintained to obtain a shatter affect.
- Ground mulching should be done in one direction and long vegetation may take more than one pass.



Skid Steer Loaders

- The hydraulic pressure gauge is visible from the operator's seat and will show the operator what the hydraulic system pressure is during operation of the mulcher.
- Smoothly and start forward travel.
- When cutting correctly the pressure gauge should be between:
 - VM1000** 80bar (1160psi) to 180bar (2610psi)
 - VM1500** 80bar (1160psi) to 240bar (3480psi)
- If forward travel is too fast the pressure gauge will increase and the mulcher is likely to stall.
- Slow ground speed to prevent further stalling.

Stopping the Mulcher

- Lower mulcher so skid plates are just above the ground.
- Set engine speed to tick over.
- Disengage mulcher and allow rotor drum to stop.
- Lower mulcher so skid plates are on ground.
- Set parking brake, stop engine and remove key.

TRANSPORTATION

When attached to the parent machine travel with the attachment low in a safe transport position to prevent uncontrolled movement.

Transportation On Public Highways

ALWAYS remove the Mulcher before driving or transporting the parent machine on public highways.

When transporting on a trailer: Secure attachment using tie down accessories that are capable of maintaining attachment stability.

Transportation Within The Job Site

ALWAYS operate the parent machine slowly when on site taking great care over rough ground and on slopes.

GENERAL MAINTENANCE

SAFETY



Safety at all times



Ensure environmentally safe disposal of waste oil:

Do not pour down drain!



Avoid Fire or Explosion:

Do not smoke near, or expose lubricants to, any possible sources of ignition. (e.g. fire, electrical sparks or heat sources).



All lubricants are toxic and potentially carcinogenic (cancer causing).



Avoid contact with skin and eyes:

Wear suitable protective clothing and gloves.



Always use a suitable barrier cream in case of skin contact.



Always wear eye protection:

In the event of skin contact wash with soap and water.

In the event of eye contact wash with water and seek medical advice.



Do not ingest:

If swallowed seek medical advice immediately.

Routine Maintenance

Auger Torque Mulcher Units are low maintenance, however regular checks for oil leaks and following the maintenance schedules are recommended to ensure a trouble free product.

Daily:

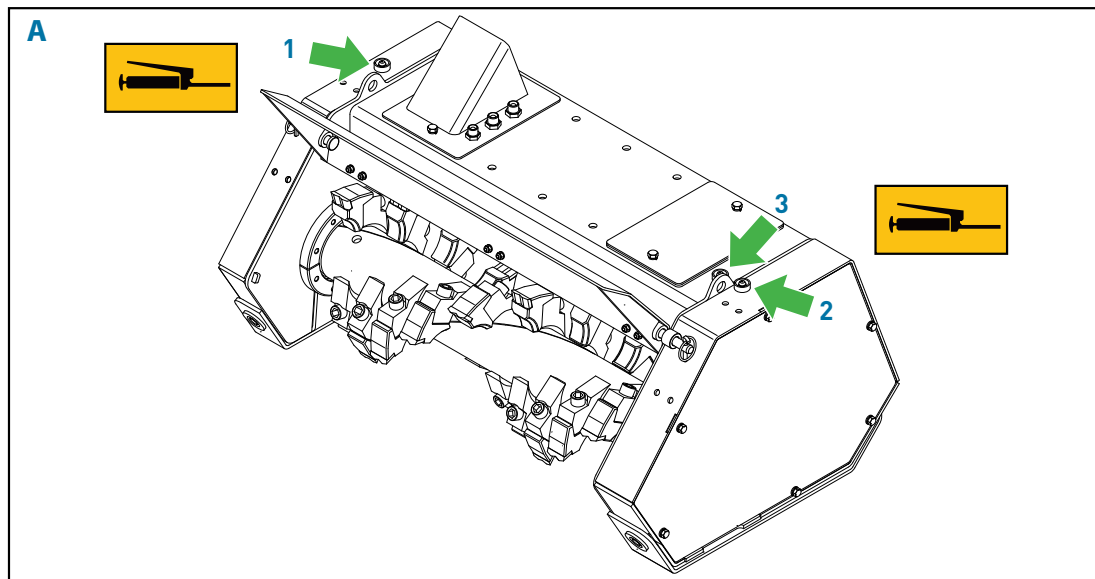
1. Inspect the unit for any buildup of contamination (dirt, stones, etc.).
2. Check cutting teeth for damage. Replace individual teeth as needed (See Page 23).
3. Grease all bearings 2-3 pumps.

Weekly:

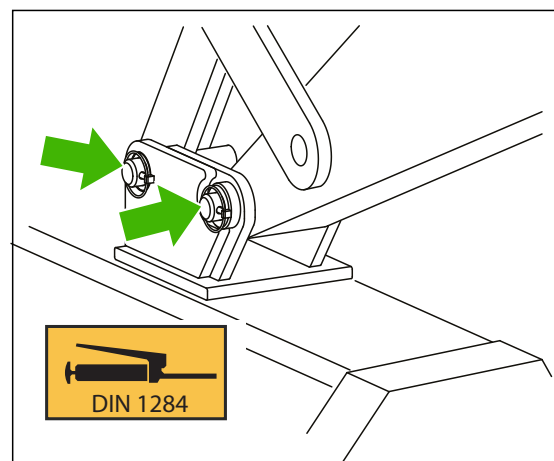
1. Grease hitch pivot pins.
2. Check belt tension, alignment and inspect belt for wear or damage. Replace damaged or worn belt (See page 24).

Grease Points

There are 3 bearing grease points; two for the drum bearings (Fig A item 1,2). The third is for the motor shaft bearings (Fig A item 3).



Ensure all hitch components are greased.

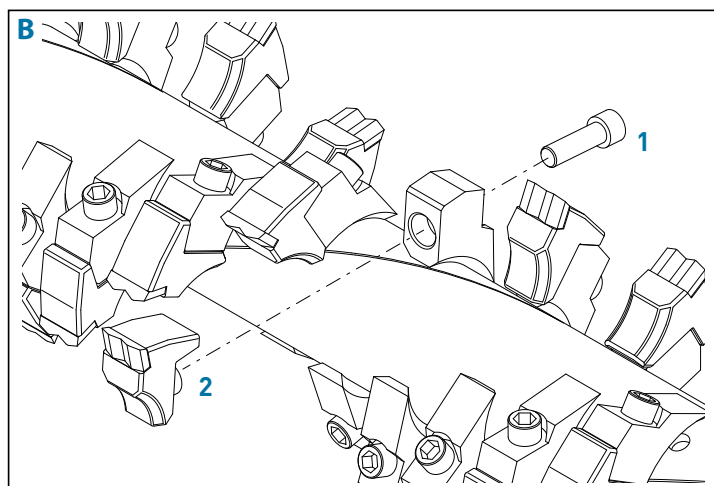


Replace Cutting Teeth

Worn, broken or missing teeth will cause excessive machine vibration and reduce productivity.

It is important that all teeth are attached properly.

- Remove socket head cap screw (Fig B, item 1) and tooth (2).
- Install new tooth and cap screw.
- Tighten cap screw (1).



Check Belt Tension

Remove left hand side panel and inspect belts for wear, damage and correct tension.

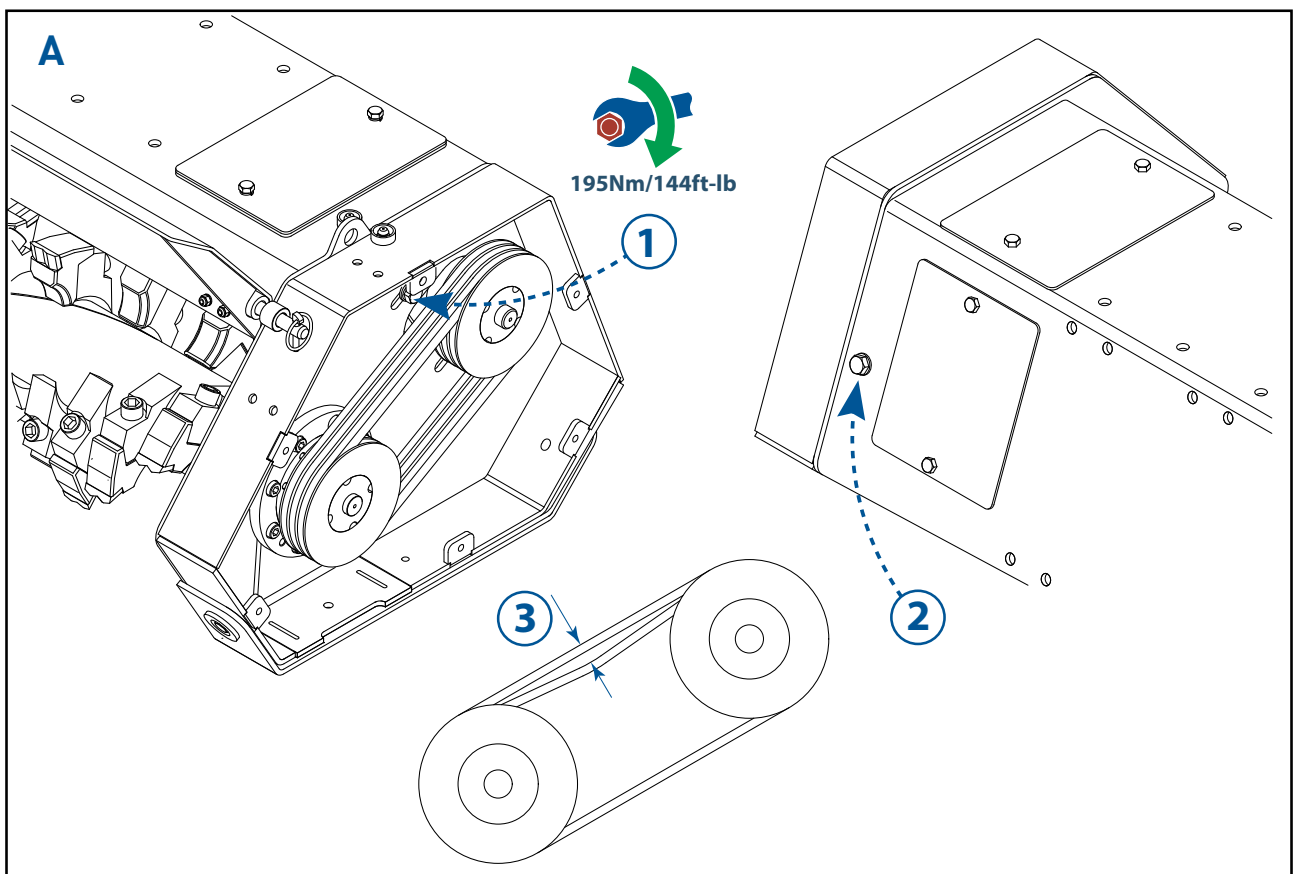
To adjust tension;

1. Slacken off the four motor bracket fixing bolts (Fig A item 1)
2. Adjust the belt tension by rotating the tensioning bolt clockwise to increase tension and counter-clockwise to decrease (2).
3. Test the tension of the belt by checking the deflection in the belts halfway between the two sprockets (3).

VM 1000 belt deflection of 5 - 6mm.

VM 1500 belt deflection of 7 - 8mm.

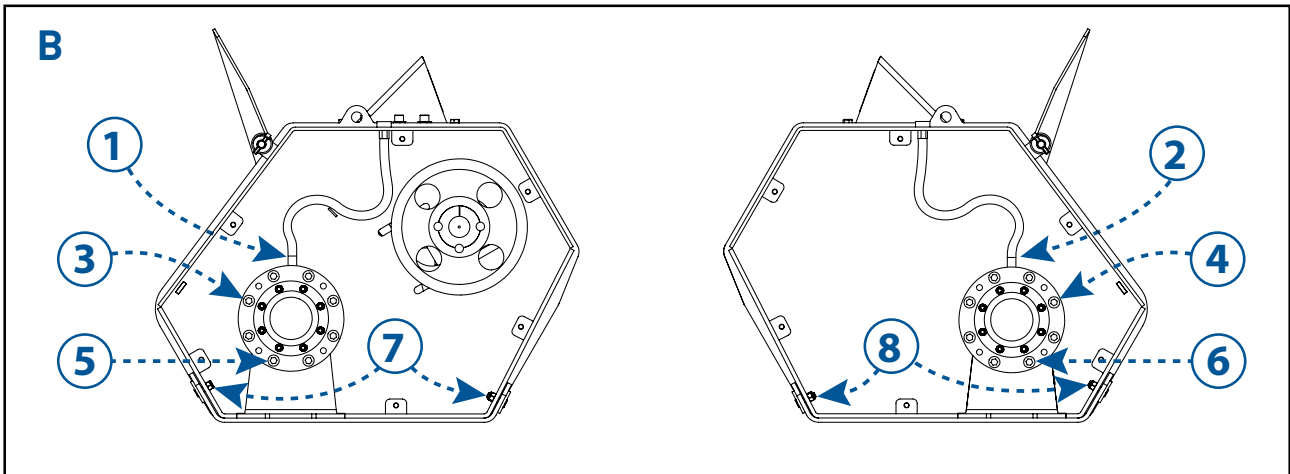
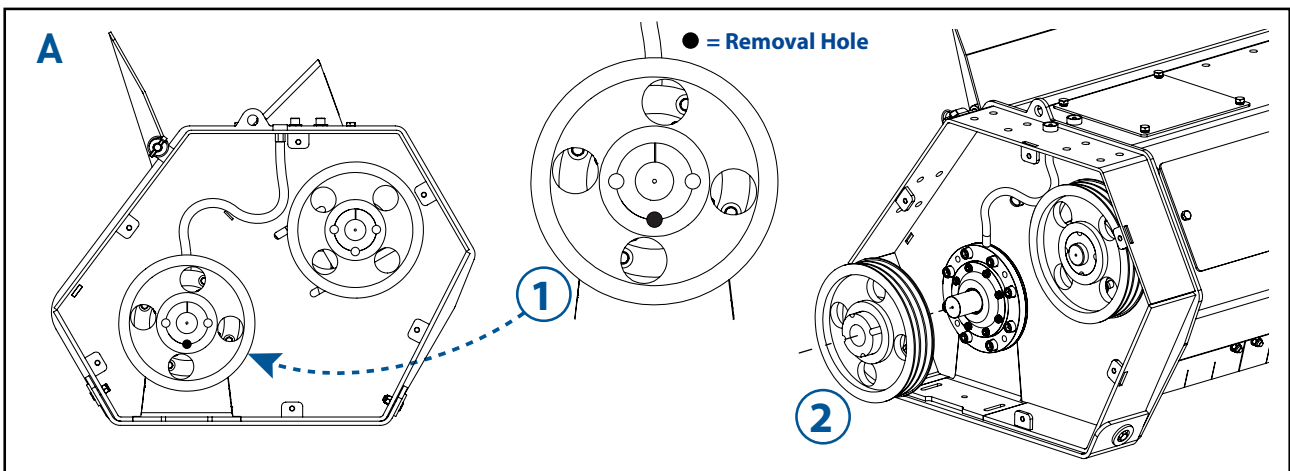
- When correct adjustment is achieved re-tighten the four motor bracket fixing bolts.
- Torque to 195 Nm / 144 ft-lbs.
- Re-fit left hand side panel.



Changing the Toothed Drum Assembly

Removing the drum assembly:

1. Set the door to the open position. Remove the left and right side panels.
2. Slacken motor pulley wheel (see Check Belt Tension section of this manual) and remove all 3 belts.
3. Noting the removal hole, slacken both grub screws by several turns. Unscrew 1 grub screw and insert it into the removal hole. Unscrew the second grub screw. Turn the first grub screw clockwise until the drum pulley wheel loosens. Remove the drum pulley wheel from the shaft (Fig A).
4. Unscrew grease hoses from the drum bearings (Fig B item 1,2).
5. Remove uppermost 6 bolts from the drum bearings (3,4).
6. Loosen remaining 2 lower bolts a half turn (5,6).
7. Remove bolts securing the skid plates to the chassis (7,8).
8. Using the parent machine, lift the Mulcher chassis upwards, leaving the drum assembly on the ground.

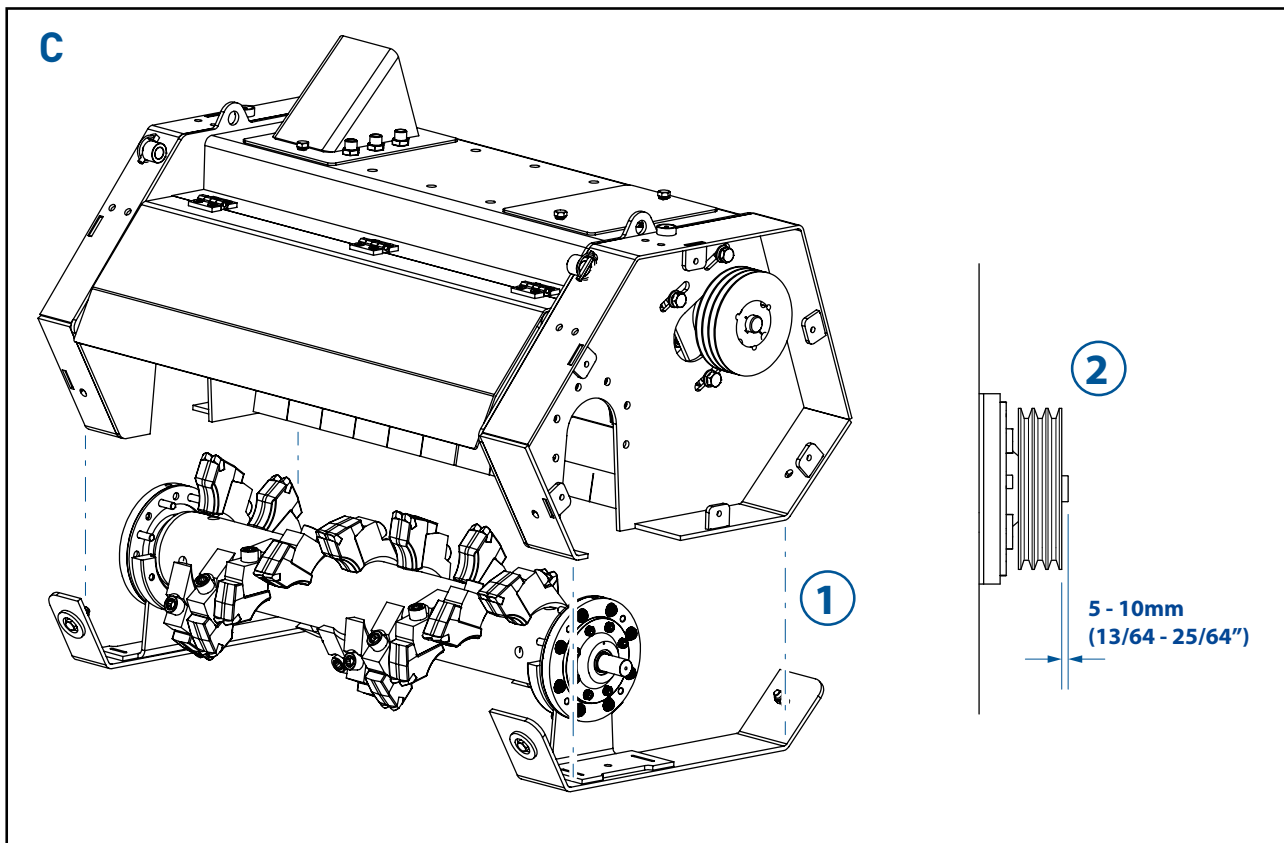


Fitting the drum assembly:

Using the parent machine, lower the Mulcher chassis onto the drum assembly (Fig C item 1).

Secure the Mulcher chassis to the drum as per the instructions above, in reverse order.

When refitting the drum pulley wheel, align with motor pulley wheel approximately 5-10mm in from the end of the drum shaft (2).



For belt tensioning adjustments, refer to the Check Belt Tension section of this manual.

Torque Settings:

Skid plate bolts - 130 Nm / 96 ft-lbs.

Drum bearing bolts - 130 Nm / 96 ft-lbs.

Pulley grub screws - VM1000: 50 Nm / 37 ft-lbs. VM1500: 90 Nm / 66 ft-lbs.

Motor bracket fixing bolts 195 Nm / 144 ft-lbs.

TROUBLESHOOTING

IF IN DOUBT ASK! - Seek Auger Torque / parent machine dealer for advice & repair.

BE SAFE - only use genuine Auger Torque / parent machine spare parts.

ROTOR DRUM		
FAULT	POSSIBLE CAUSE	ACTION
Rotor drum does not spin	Rocks and debris caught between drum and mainframe	Remove debris
	Low oil	Check oil levels in parent machine
	Insufficient oil flow	Check that parent machine hydraulic system is operating correctly and has sufficient oil of the correct grade (refer to parent machine operating instructions)
	Loose or damaged hydraulic hoses or fittings.	Tighten or replace as necessary
Rotor drum rotates sluggish	Hydraulic motor damaged	Seek advice from Auger Torque dealer. Only use genuine spare parts. Change parent machine hydraulic oil and filter before fitting replacement drive unit
	Low oil	Check oil levels in parent machine
	Blocked hydraulic filter	Change parent machine filter and oil
	Insufficient oil flow	Check that parent machine hydraulic system is operating correctly and has sufficient oil of the correct grade (refer to parent machine operating instructions)
	Loose or damaged hydraulic hoses or fittings.	Tighten or replace as necessary
VIBRATION		
FAULT	POSSIBLE CAUSE	ACTION
Excessive vibration during operation	Teeth are worn, broken or missing	Inspect and replace as necessary
	Bearing failure	Inspect and replace as necessary
	Rotor drum obstruction	Remove debris
	Incorrect tensioning of drive belts	Re-tension drive belts

SERVICE RECORD

Ensure that each Mulcher service is documented in the Service Records below to ensure product warranty is retained and the product life is extended.

Mulcher Model	
Serial Number	
Make & Model of Parent Machine	
Date of Purchase	

Work carried out - please tick boxes	Date <input type="text"/> Hours <input type="text"/>
Visual Inspection <input type="checkbox"/> Bearing Inspection <input type="checkbox"/> Grease Used <input type="text"/> Motor Test <input type="checkbox"/> Motor Bolts Torqued <input type="checkbox"/> Drive Belts Inspection <input type="checkbox"/> Tooth Inspection <input type="checkbox"/> Next Service Date\Hours <input type="text"/>	Comments\remarks <div style="text-align: center; opacity: 0.5; font-size: 48px; font-weight: bold;">STAMP</div>

Work carried out - please tick boxes	Date <input type="text"/> Hours <input type="text"/>
Visual Inspection <input type="checkbox"/> Bearing Inspection <input type="checkbox"/> Grease Used <input type="text"/> Motor Test <input type="checkbox"/> Motor Bolts Torqued <input type="checkbox"/> Drive Belts Inspection <input type="checkbox"/> Tooth Inspection <input type="checkbox"/> Next Service Date\Hours <input type="text"/>	Comments\remarks <div style="text-align: center; opacity: 0.5; font-size: 48px; font-weight: bold;">STAMP</div>

Work carried out - please tick boxes	Date <input type="text"/> Hours <input type="text"/>
Visual Inspection <input type="checkbox"/> Bearing Inspection <input type="checkbox"/> Grease Used <input type="text"/> Motor Test <input type="checkbox"/> Motor Bolts Torqued <input type="checkbox"/> Drive Belts Inspection <input type="checkbox"/> Tooth Inspection <input type="checkbox"/> Next Service Date\Hours <input type="text"/>	Comments\remarks <div style="text-align: center; font-size: 48px; opacity: 0.3; transform: rotate(-10deg);">STAMP</div>

Work carried out - please tick boxes	Date <input type="text"/> Hours <input type="text"/>
Visual Inspection <input type="checkbox"/> Bearing Inspection <input type="checkbox"/> Grease Used <input type="text"/> Motor Test <input type="checkbox"/> Motor Bolts Torqued <input type="checkbox"/> Drive Belts Inspection <input type="checkbox"/> Tooth Inspection <input type="checkbox"/> Next Service Date\Hours <input type="text"/>	Comments\remarks <div style="text-align: center; font-size: 48px; opacity: 0.3; transform: rotate(-10deg);">STAMP</div>

Work carried out - please tick boxes	Date <input type="text"/> Hours <input type="text"/>
Visual Inspection <input type="checkbox"/> Bearing Inspection <input type="checkbox"/> Grease Used <input type="text"/> Motor Test <input type="checkbox"/> Motor Bolts Torqued <input type="checkbox"/> Drive Belts Inspection <input type="checkbox"/> Tooth Inspection <input type="checkbox"/> Next Service Date\Hours <input type="text"/>	Comments\remarks <div style="text-align: center; font-size: 48px; opacity: 0.3; transform: rotate(-10deg);">STAMP</div>

Work carried out - please tick boxes	Date <input type="text"/> Hours <input type="text"/>
Visual Inspection <input type="checkbox"/> Bearing Inspection <input type="checkbox"/> Grease Used <input type="text"/> Motor Test <input type="checkbox"/> Motor Bolts Torqued <input type="checkbox"/> Drive Belts Inspection <input type="checkbox"/> Tooth Inspection <input type="checkbox"/> Next Service Date\Hours <input type="text"/>	Comments\remarks <div style="text-align: center; font-size: 48px; opacity: 0.3; font-weight: normal;">STAMP</div>

Work carried out - please tick boxes	Date <input type="text"/> Hours <input type="text"/>
Visual Inspection <input type="checkbox"/> Bearing Inspection <input type="checkbox"/> Grease Used <input type="text"/> Motor Test <input type="checkbox"/> Motor Bolts Torqued <input type="checkbox"/> Drive Belts Inspection <input type="checkbox"/> Tooth Inspection <input type="checkbox"/> Next Service Date\Hours <input type="text"/>	Comments\remarks <div style="text-align: center; font-size: 48px; opacity: 0.3; font-weight: normal;">STAMP</div>

Work carried out - please tick boxes	Date <input type="text"/> Hours <input type="text"/>
Visual Inspection <input type="checkbox"/> Bearing Inspection <input type="checkbox"/> Grease Used <input type="text"/> Motor Test <input type="checkbox"/> Motor Bolts Torqued <input type="checkbox"/> Drive Belts Inspection <input type="checkbox"/> Tooth Inspection <input type="checkbox"/> Next Service Date\Hours <input type="text"/>	Comments\remarks <div style="text-align: center; font-size: 48px; opacity: 0.3; font-weight: normal;">STAMP</div>

Work carried out - please tick boxes	Date <input type="text"/> Hours <input type="text"/>
Visual Inspection <input type="checkbox"/> Bearing Inspection <input type="checkbox"/> Grease Used <input type="text"/> Motor Test <input type="checkbox"/> Motor Bolts Torqued <input type="checkbox"/> Drive Belts Inspection <input type="checkbox"/> Tooth Inspection <input type="checkbox"/> Next Service Date\Hours <input type="text"/>	Comments\remarks <div style="text-align: center; font-size: 48px; opacity: 0.3; font-weight: bold;">STAMP</div>

Work carried out - please tick boxes	Date <input type="text"/> Hours <input type="text"/>
Visual Inspection <input type="checkbox"/> Bearing Inspection <input type="checkbox"/> Grease Used <input type="text"/> Motor Test <input type="checkbox"/> Motor Bolts Torqued <input type="checkbox"/> Drive Belts Inspection <input type="checkbox"/> Tooth Inspection <input type="checkbox"/> Next Service Date\Hours <input type="text"/>	Comments\remarks <div style="text-align: center; font-size: 48px; opacity: 0.3; font-weight: bold;">STAMP</div>

Work carried out - please tick boxes	Date <input type="text"/> Hours <input type="text"/>
Visual Inspection <input type="checkbox"/> Bearing Inspection <input type="checkbox"/> Grease Used <input type="text"/> Motor Test <input type="checkbox"/> Motor Bolts Torqued <input type="checkbox"/> Drive Belts Inspection <input type="checkbox"/> Tooth Inspection <input type="checkbox"/> Next Service Date\Hours <input type="text"/>	Comments\remarks <div style="text-align: center; font-size: 48px; opacity: 0.3; font-weight: bold;">STAMP</div>

Work carried out - please tick boxes	Date <input type="text"/> Hours <input type="text"/>
Visual Inspection <input type="checkbox"/> Bearing Inspection <input type="checkbox"/> Grease Used <input type="text"/> Motor Test <input type="checkbox"/> Motor Bolts Torqued <input type="checkbox"/> Drive Belts Inspection <input type="checkbox"/> Tooth Inspection <input type="checkbox"/> Next Service Date\Hours <input type="text"/>	Comments\remarks <div style="text-align: center; font-size: 48px; opacity: 0.3; font-weight: bold;">STAMP</div>

Work carried out - please tick boxes	Date <input type="text"/> Hours <input type="text"/>
Visual Inspection <input type="checkbox"/> Bearing Inspection <input type="checkbox"/> Grease Used <input type="text"/> Motor Test <input type="checkbox"/> Motor Bolts Torqued <input type="checkbox"/> Drive Belts Inspection <input type="checkbox"/> Tooth Inspection <input type="checkbox"/> Next Service Date\Hours <input type="text"/>	Comments\remarks <div style="text-align: center; font-size: 48px; opacity: 0.3; font-weight: bold;">STAMP</div>

Work carried out - please tick boxes	Date <input type="text"/> Hours <input type="text"/>
Visual Inspection <input type="checkbox"/> Bearing Inspection <input type="checkbox"/> Grease Used <input type="text"/> Motor Test <input type="checkbox"/> Motor Bolts Torqued <input type="checkbox"/> Drive Belts Inspection <input type="checkbox"/> Tooth Inspection <input type="checkbox"/> Next Service Date\Hours <input type="text"/>	Comments\remarks <div style="text-align: center; font-size: 48px; opacity: 0.3; font-weight: bold;">STAMP</div>

Work carried out - please tick boxes	Date <input type="text"/> Hours <input type="text"/>
Visual Inspection <input type="checkbox"/> Bearing Inspection <input type="checkbox"/> Grease Used <input type="text"/> Motor Test <input type="checkbox"/> Motor Bolts Torqued <input type="checkbox"/> Drive Belts Inspection <input type="checkbox"/> Tooth Inspection <input type="checkbox"/> Next Service Date\Hours <input type="text"/>	Comments\remarks <div style="text-align: center; font-size: 48px; opacity: 0.3; transform: rotate(-10deg);">STAMP</div>

Work carried out - please tick boxes	Date <input type="text"/> Hours <input type="text"/>
Visual Inspection <input type="checkbox"/> Bearing Inspection <input type="checkbox"/> Grease Used <input type="text"/> Motor Test <input type="checkbox"/> Motor Bolts Torqued <input type="checkbox"/> Drive Belts Inspection <input type="checkbox"/> Tooth Inspection <input type="checkbox"/> Next Service Date\Hours <input type="text"/>	Comments\remarks <div style="text-align: center; font-size: 48px; opacity: 0.3; transform: rotate(-10deg);">STAMP</div>

Work carried out - please tick boxes	Date <input type="text"/> Hours <input type="text"/>
Visual Inspection <input type="checkbox"/> Bearing Inspection <input type="checkbox"/> Grease Used <input type="text"/> Motor Test <input type="checkbox"/> Motor Bolts Torqued <input type="checkbox"/> Drive Belts Inspection <input type="checkbox"/> Tooth Inspection <input type="checkbox"/> Next Service Date\Hours <input type="text"/>	Comments\remarks <div style="text-align: center; font-size: 48px; opacity: 0.3; transform: rotate(-10deg);">STAMP</div>

WARRANTY STATEMENT

All Auger Torque products are warranted to be free from defects in materials or workmanship for the periods summarised below:

- Hydraulic Motors - 36 Months
- All Other Parts / Products - 12 Months

The warranty periods will commence from Date of Sale by an authorised Auger Torque Dealer. Evidence of the date of sale may be required and for Hydraulic Motor warranties to be valid the product must be registered with Auger Torque within 4 weeks of the date of sale. Extended Warranty (> 12 months) Products can be registered by returning the Registration Card or completing the form on page 7. This warranty is not transferable beyond the initial purchaser of the product.

A warranty claim should be reported to the Auger Torque Dealer who supplied the unit. The Dealer, with the technical backup of Auger Torque, will make an initial assessment.

The customer is responsible for returning the product for warranty inspection to the original supplying dealer's facility. Parts should not be delivered without the prior agreement of the dealer or Auger Torque.

During the warranty period Auger Torque, at its option, will repair or replace any parts free of charge determined as defective by Auger Torque. Such repairs will be undertaken by Auger Torque or its nominated representative at an Auger Torque facility or a location deemed suitable by Auger Torque. Auger Torque are not liable for any associated costs relating to a warranty failure.

Parts repaired or replaced by Auger Torque are then covered by this warranty for the remainder of the original warranty as if such parts were original parts.

Products or parts which, as determined by Auger Torques examination, show wear from normal use, have been improperly operated, damaged by accident or negligence, altered or modified are not considered defective and are not covered by this warranty.

This warranty is void if any attempt is made to make field repairs unless these have been pre-approved in writing by Auger Torque.

This warranty is void if the products are not serviced in-line with the instructions in the Operators Manual. Particular care should be taken to perform regular oil changes in gearboxes.

This warranty is exclusive and in-lieu of any other expressed warranties. There are no warranties of merchantability or fitness for a particular purpose. Auger Torque shall not be liable for any consequential, incidental or punitive damages, losses or expenses, including those resulting from or caused by any defects.

As you would expect from Auger Torque, with our extensive experience and product reliability we'll always go the extra mile to keep you working.



AUGER TORQUE

EARTHMOVING ATTACHMENTS



YOUR DEALER IS

Auger Torque Europe Ltd

Hazleton
Cheltenham
GL54 4DX
England

Tel: +44 (0) 1451 861652

Fax: +44 (0) 1451 861660

Email: sales@augertorque.com

Auger Torque Australia Pty Ltd

122 Boundary Rd
Rocklea
Queensland 4106
Australia

Tel: +61 (0) 7 3274 2077

Fax: +61 (0) 7 3274 5077

Email: sales@augertorque.com.au

Auger Torque USA LLC

2640 Jason Industrial Parkway
Winston, GA 30187
USA

Tel: (+1) 844 287 6300

Fax: (+1) 770 947 9916

Email: sales@augertorqueusa.com

www.augertorque.com



Products and specifications subject to change without prior notice.

Some products may not be available in your country or region.

AUGER TORQUE, SHOCK LOCK™, NDS™ and the AUGER TORQUE LOGO are trademarks of Auger Torque Europe Ltd © 2021 Auger Torque Europe Ltd. All Rights Reserved.