

# LOG SPLITTER QUICK START GUIDE



This Auger Torque quick start guide will enable you to get your new product up and running in no time. The complete operators manual is available on the Auger Torque website. To download a copy in pdf format, simply scan the QR code or visit [www.augertorque.com](http://www.augertorque.com).

99-95520019 - ISSUE 1-0

ENGLISH

For warranty purposes this product **MUST** be registered with Auger Torque within 14 days of purchase by the end user.



## FITTING INSTRUCTIONS

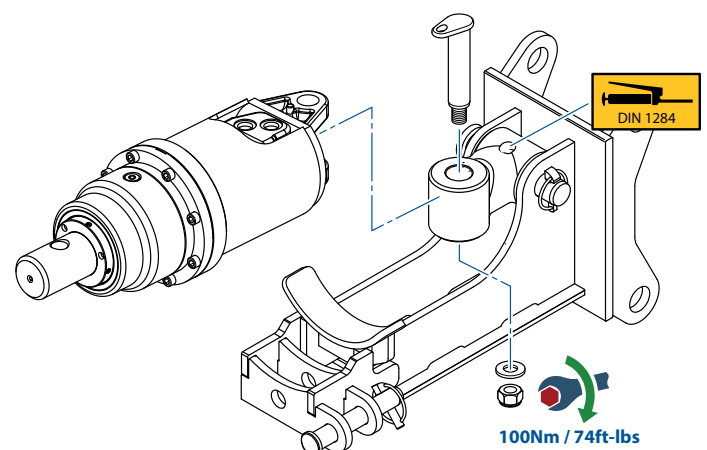
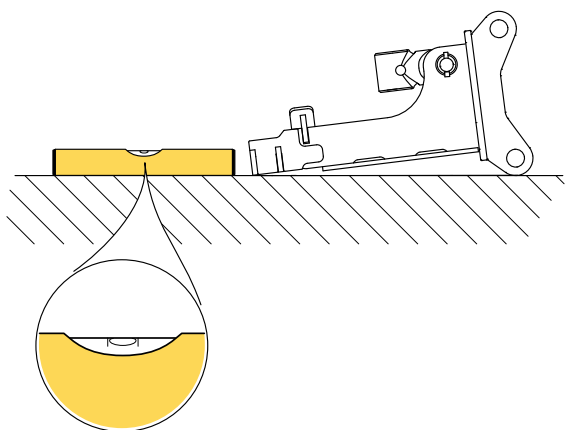
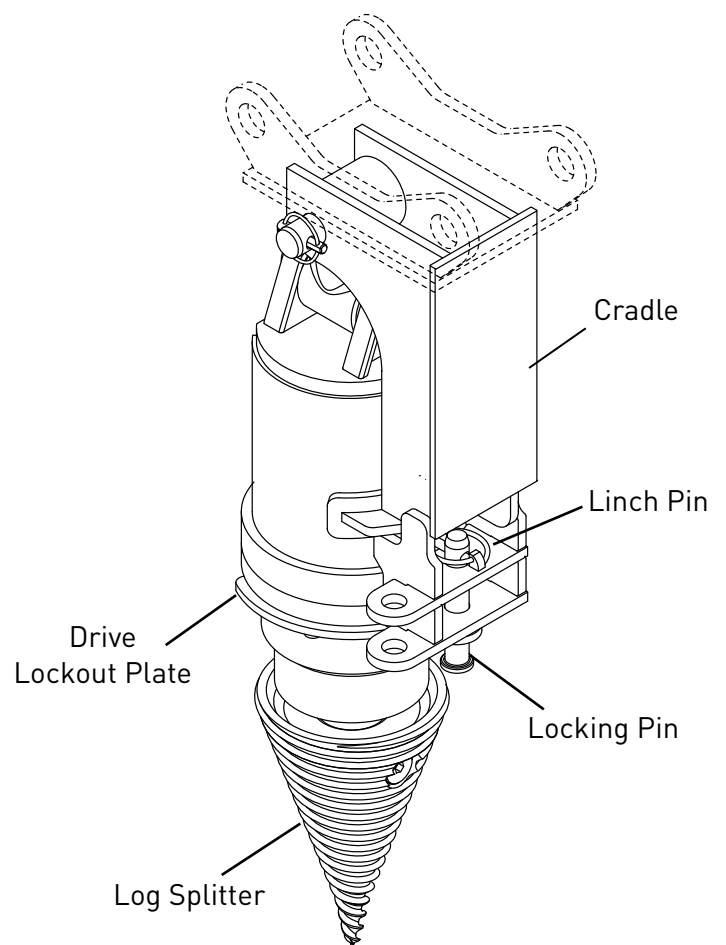
### Lockout Cradle

Always work in pairs (2 skilled operatives) whenever Earth Drill unit components are being assembled or disassembled from the parent machine. Always check the weight of the attachment and ensure you have the correct equipment for handling it.



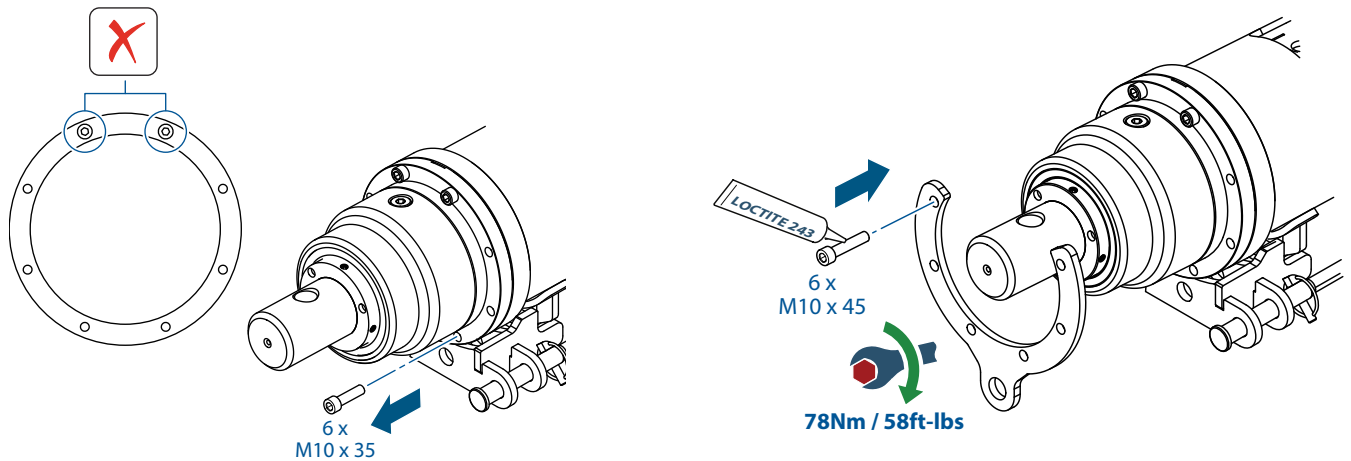
Assemble all components on firm and level ground.

Working as a pair, lift the Earth Drill into place with the port opening facing upwards. Align hood ears with the hole in the linkage block. Secure the Earth Drill with the Pin, Washer and Nylon Insert Nut, torque to 100Nm/74ft-lbs.



Remove six of the eight Hood fixing bolts and Washers, leaving the two uppermost in position.

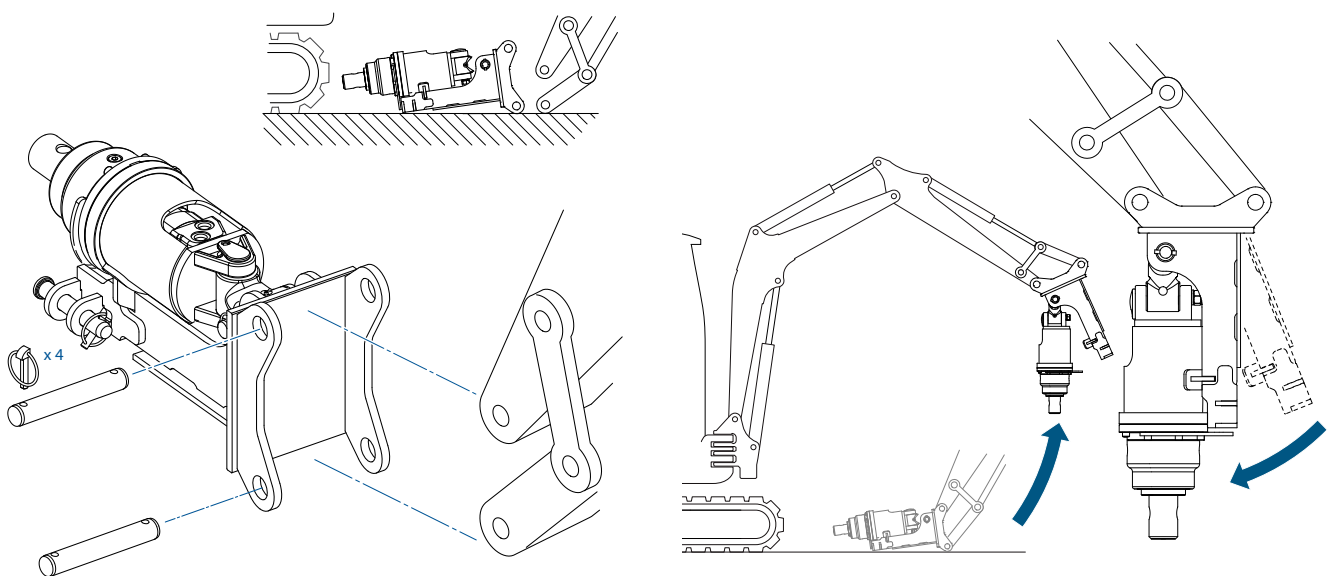
Clean the 6 Hood bolts with Loctite 7063, apply Loctite 243 to bolt threads and fit Drive Lockout Plate to Earth Drill. Torque to 78Nm/58ft-lbs.



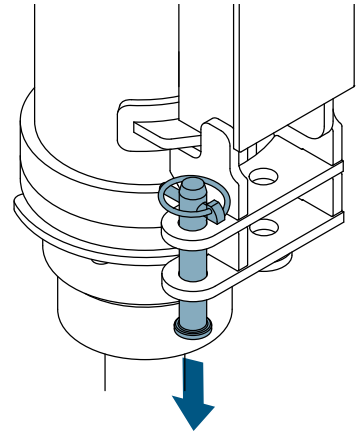
### Mounting Cradle to the Parent Machine

Align the Pin holes on the Cradle and Parent Machine, push the Pins fully home and fit the Linch Pins on both sides.

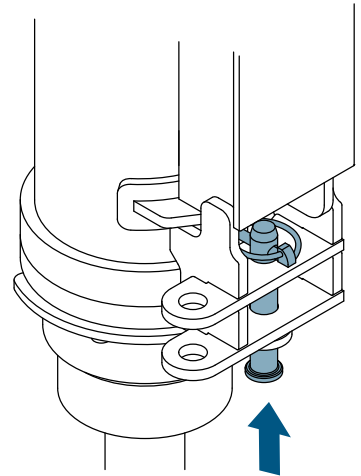
Lift Drill and Cradle into a vertical position, ensure Drill is seated in the Cradle.



Remove Locking Pin and Linch Pin from stowage position.



Fit Locking Pin through Cradle and Drive Lockout Plate and secure with Linch Pin.

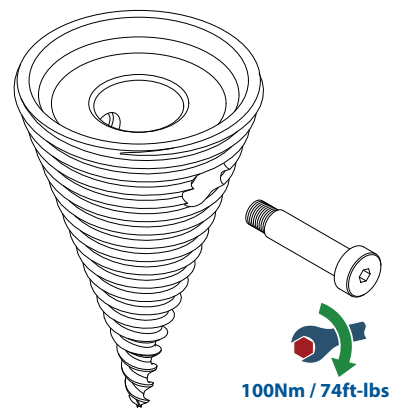
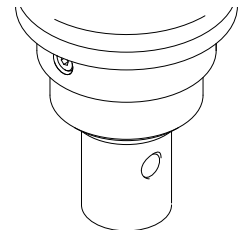


### Fitting the Splitter

**CHECK** that the Splitter is the correct model and type to fit the Earth Drill Unit.

**ENSURE** that the Splitter connections are clean before fitting.

Position the Splitter in the vertical work position and support it so that it cannot fall over. Position the Earth Drill over the Splitter and align holes. Lower the Earth Drill Unit onto the Splitter and fit the Bolt. Torque to 100Nm.

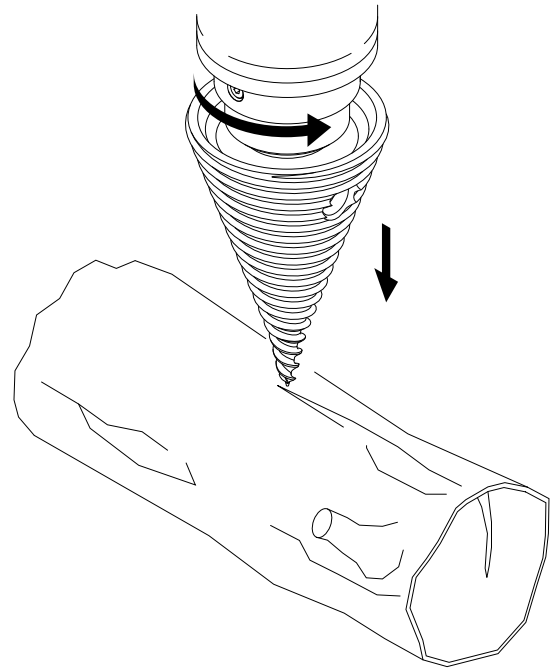


## OPERATION

### Engaging Splitter

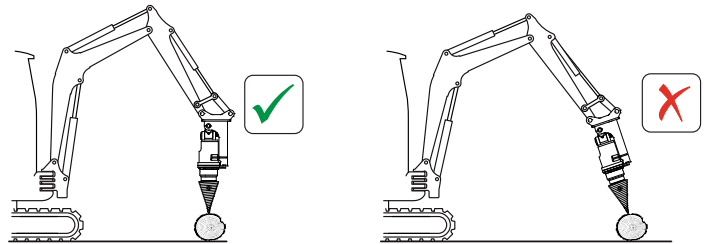
Never proceed with works before completing a site risks assessment immediately before commencing work. Nominating the safe work exclusion zone radius for persons and animals as part of identifying risks and implementing controls.

Keeping the Splitter in an upright position and with a clockwise rotation, lower the Splitter so the pilot engages with the top surface of the log, drawing the tool down. Maintain a downward pressure until log splits.



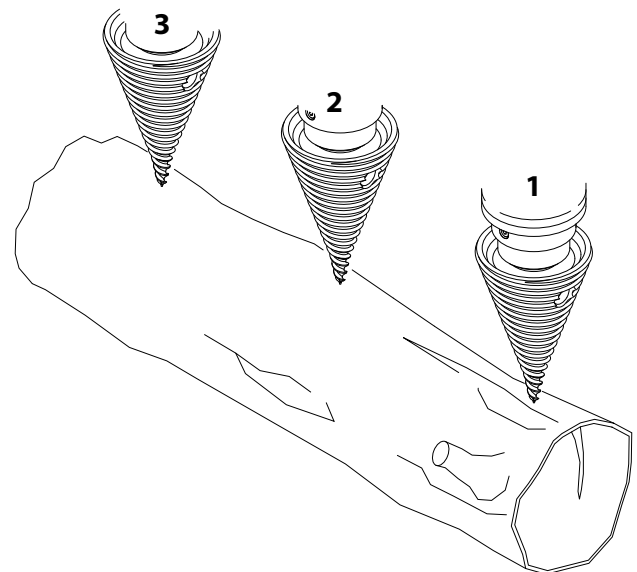
### CAUTION

If downward pressure is not maintained or the log is too small, the log may begin to rotate. Should this occur, stop the Splitter, return log to safe position and apply more downward pressure before continuing.



### Cutting Sequence

When splitting large logs, start at one end and work along its length until log splits apart.



## MAINTENANCE

A visual inspection of the cutting faces should be carried out before use.