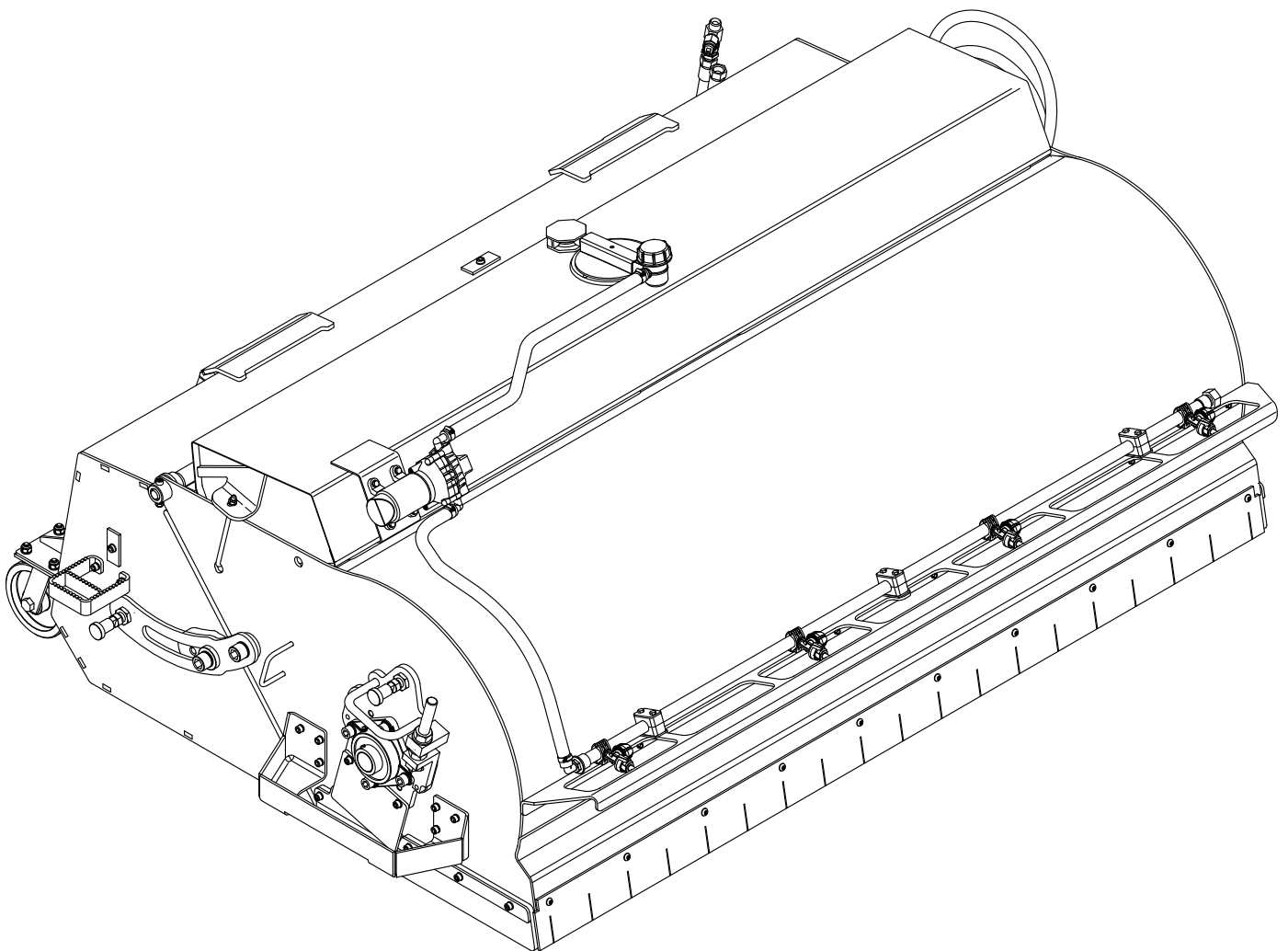




99-95515003 - ISSUE 1-1

ENGLISH

SWEeper BROOM OPERATORS MANUAL



INDEX



FOREWORD	4
Enquiries	4
The Machinery Directive (European Community only)	4
Declaration Of Conformity	4
REGISTRATION	6
INTRODUCTION	9
SAFETY NOTES	10
Protect Yourself	10
You May Need	10
Know Your Equipment	10
Danger, Warning And Caution	10
Protective And Safety Devices	11
Check The Equipment	11
Hazard Classification (Only applicable to ANSI Safety Labels)	11
Safety Precautions	12
IDENTIFICATION	13
Typical Setup	13
FITTING THE SWEEPER UNIT	14
Skid Steer Loaders	14
HYDRAULIC CONNECTIONS	15
PREPARATION	16
STORAGE	16
OPERATING PROCEDURE	17
Speeds	17
Dirt and Gravel	17
Heavy Debris	17
During Use	17
Emptying the bucket	17
ADJUSTMENTS	18
Adjusting the sweeper brush	18
Changing the motor position	19
MAINTENANCE & LUBRICATION	20
Routine Maintenance	21

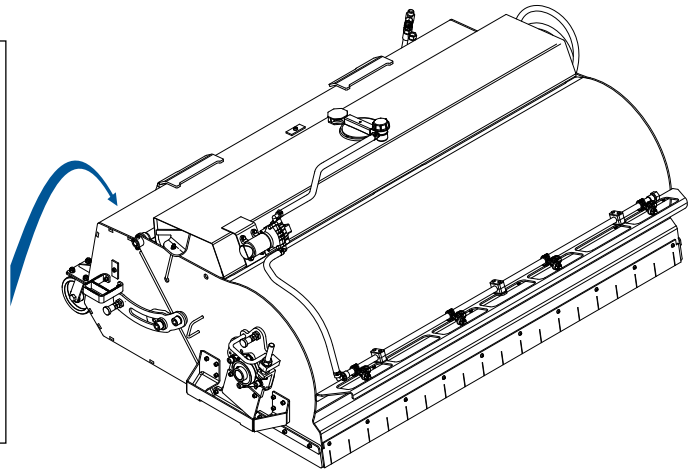
Daily Checks	21
Bucket Edge Cutter	21
Brush Replacement	21
Brush Removal	21
Replacing Brush Sections	24
DUST SUPPRESSION SYSTEM	25
Control Box	25
Water Tank	25
TROUBLESHOOTING	26
WARRANTY STATEMENT	28

FOREWORD

Enquiries

Please state the model type and serial number when making enquiries or orders and all written correspondence. The serial number is recorded on a plate located on the side of the rear of the sweeper.

99-5057		AUGERTORQUE®	Distributed by:	
Model:	Serial No:	Weight:		
<input type="text"/>	<input type="text"/>	<input type="text"/> Kg		
Flow Range:	From <input type="text"/>	To <input type="text"/>	Lpm	CE UK CA
Pressure Range:	From <input type="text"/>	To <input type="text"/>	Bar	
Max. Back Pressure:	<input type="text"/> Bar	Date of Manufacture	<input type="text"/>	



The Machinery Directive (European Community only)

The Machinery Directive 2006/42/EC (formerly 98/37/EEC) provides the harmonisation of the essential health and safety requirements for machinery, through a combination of mandatory health and safety requirements and voluntary harmonised standards. Such directives apply only to products that are intended to be placed on or put into service in the market for the first time. The manufacturer or the authorised representative must draw up a 'Declaration of Conformity'.

Declaration Of Conformity

Where Trenchers are supplied in conjunction with Auger Torque Europe Ltd manufactured mounting frames to form a Trencher Assembly, Auger Torque Europe Ltd have control over the suitability of the parts supplied. To show this and meet with the lawful requirements of the Machinery Directive a Declaration of Conformity is issued and a CE mark is applied to the assembly.

(copy example follows)



Manufactured by Auger Torque Europe Limited

EU Declaration of Conformity

The responsible person:

Name	
Position	
Company Name	<i>Auger Torque Europe Ltd</i>
Address	<i>Hazelton, Cheltenham, GL54 4DX, England</i>
Telephone	<i>++44 (0) 1451 861652</i>
Fax	<i>++44 (0) 1451 861660</i>

Declares that the product described:

Manufacturer	<i>Auger Torque Europe Ltd.</i>
Model	
Serial Number	

Conforms to the Machinery Directive 2006/42/EC.

It also complies with the essential health and safety requirements, national standards and the transposed harmonised standards appropriate for this product.

Signed by:
(The responsible person)

Dated

REGISTRATION

Complete this form and keep it with the manual



Auger Torque Europe Ltd
Hazleton
Cheltenham
GL54 4DX
England
Tel:+44(0)1451 861652
Fax:+44(0)1451 861660
Email: sales@augertorque.com

Auger Torque Australia Pty Ltd
122 Boundary Rd
Rocklea
Queensland 4106
Australia
Tel:+61(0)7 3274 2077
Fax:+61(0)7 3274 5077
Email: sales@augertorque.com.au

Auger Torque USA LLC
2640 Jason Industrial Parkway
Winston, GA 30187
USA
Tel: (+1) 844 287 6300
Fax: (+1) 770 947 9916
Email: sales@augertorqueusa.com

MODEL NUMBER:

SERIAL NUMBER:

DATE OF MANUFACTURE:

SUPPLIER / DEALER:

DATE SOLD TO SUPPLIER / DEALER:

DATE SOLD TO ORIGINAL END USER:

OWNER OR OPERATOR:

PARENT MACHINE MAKE & MODEL:

Note; Always quote the serial number in any communication with your supplier / dealer

REGISTRATION

For warranty purposes this form **MUST** be completed and returned to Auger Torque within 14 days of purchase by the end user.



Auger Torque Europe Ltd
Hazleton
Cheltenham
GL54 4DX
England
Tel:+44(0)1451 861652
Fax:+44(0)1451 861660
Email: sales@augertorque.com

Auger Torque Australia Pty Ltd
122 Boundary Rd
Rocklea
Queensland 4106
Australia
Tel:+61(0)7 3274 2077
Fax:+61(0)7 3274 5077
Email: sales@augertorque.com.au

Auger Torque USA LLC
2640 Jason Industrial Parkway
Winston, GA 30187
USA
Tel: (+1) 844 287 6300
Fax: (+1) 770 947 9916
Email: sales@augertorqueusa.com

MODEL NUMBER:

SERIAL NUMBER:

DATE OF MANUFACTURE:

SUPPLIER / DEALER:

DATE SOLD TO SUPPLIER / DEALER:

DATE SOLD TO ORIGINAL END USER:

OWNER OR OPERATOR:

PARENT MACHINE MAKE & MODEL:

Note; Always quote the serial number in any communication with your supplier / dealer

For warranty purposes the form on the reverse of this page should be completed and returned to the appropriate address.

Auger Torque Europe Ltd
Hazleton
Cheltenham
GL54 4DX
England
Tel: +44(0)1451 861652
Fax: +44(0)1451 861660
Email: sales@augertorque.com

Auger Torque Australia Pty Ltd
122 Boundary Rd
Rocklea
Queensland 4106
Australia
Tel: +61(0)7 3274 2077
Fax: +61(0)7 3274 5077
Email: sales@augertorque.com.au

Auger Torque USA LLC
2640 Jason Industrial Parkway
Winston, GA 30187
USA
Tel: (+1) 844 287 6300
Fax: (+1) 770 947 9916
Email: sales@augertorqueusa.com

INTRODUCTION

Auger Torque thank you for purchasing your new product. This operating manual has been prepared to enable you to operate the equipment in a safe manner.

Auger Torque Sweepers have been designed for use with specific parent machines along with the Auger Torque range of mounting frames. These sweepers are designed solely for the use in construction clean up, road maintenance and similar operations. Provided these are used and maintained correctly, they will provide a safe and reliable method of clean up.

For information on lubrication and maintenance intervals, see page 20

Before operating the unit, please note:

Hydraulic hoses must be fitted and tightened to the correct torque (see page 15).

NOTE:

This operating manual should be used in conjunction with the parent machine's operating instructions.

Instruction books should be regarded as part of the machine. They should always be kept safe with the machine for easy and quick reference.

New or extra copies can be obtained from your Auger Torque dealer or direct from Auger Torque.

Auger Torque Europe Limited continually strives to improve and increase its range of products and therefore reserves the right to alter its specifications at any time without notice or obligation. The company accepts no responsibility for discrepancies, which occur between specifications of its machines and descriptions thereof contained in its publications.

SAFETY NOTES

Protect Yourself

Make sure you wear protective clothing and personal safety items.

You May Need

- A Hard Hat
- Safety Goggles
- Hearing Protection
- Foul Weather Clothing
- Reflective Clothing
- Protective Gloves
- Safety Boots

DO NOT wear items of loose clothing, jewellery or other items and tie up any long hair which could entangle in the controls or other parts of the machine.

Know Your Equipment

Get to know all you how to operate all controls on the machine and the attachments

IF THERE IS SOMETHING IN THE MANUAL WHICH YOU DO NOT UNDERSTAND, CONTACT THE MACHINE AGENT OR MANUFACTURER AND ASK THEM TO EXPLAIN IT TO YOU.

Danger, Warning And Caution

This symbol below has 3 important meanings when used with the following captions.



DANGER: An IMMEDIATELY HAZARDOUS situation that WILL result in DEATH or VERY SERIOUS INJURY



WARNING: A POTENTIALLY HAZARDOUS situation that COULD result in DEATH or VERY SERIOUS INJURY



CAUTION: A POTENTIALLY HAZARDOUS situation that MAY result in MINOR INJURY

Protective And Safety Devices

Keep all protective devices in place and securely fastened. Make sure all guards, shields and safety signs are properly installed and are in good condition.

Check The Equipment

Before you operate the equipment, take time to check your machine and ensure that all systems are in good operational order.

- Never operate the equipment with worn, damaged or missing parts. Use only genuine replacement parts.
- Always ensure that the parent machine is secure and stable with its engine switched off and hydraulic pipes disconnected before carrying out any maintenance work.
- Check for loose, broken, missing or damaged parts. Have everything put into good repair and make sure all safety devices are in place.
- Perform all maintenance procedures outlined for the equipment.
- Always protect hands. Select appropriate gloves when handling the equipment during fitting, removing or adjusting
- Always protect feet with safety boots.



WARNING: Hydraulic fluid under pressure can penetrate the skin or eyes and cause serious PERSONAL INJURY, BLINDNESS OR DEATH. Fluid leaks under pressure may not be visible. Use a piece of wood or thick cardboard to find leaks. DO NOT USE YOUR BARE HANDS. Wear safety goggles for eye protection. If any fluid is injected into the skin, it MUST be surgically removed. SEE A DOCTOR IMMEDIATELY

Make sure all hydraulic lines are correctly installed

Before applying pressure to the hydraulic system be sure all connections are tight and that lines, pipes and hoses are not damaged. Before disconnecting hydraulic lines, be sure to relieve all pressure.

Hazard Classification (Only applicable to ANSI Safety Labels)



DANGER: IMMEDIATE HAZARD! - Failure to understand or obey this information is likely to result in personal injury or death.



WARNING: Failure to follow these instructions may result in personal injury or death.



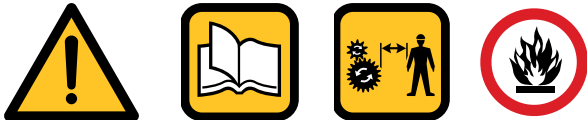
CAUTION: Failure to follow these instructions may result in minor personal injury or damage to the machine or the vehicle.



NOTICE: This is important information for the proper use of this equipment. Failure to comply may lead to premature equipment failure.

CLEAN OR REPLACE THE SAFETY LABELS IF THEY CANNOT BE CLEARLY READ OR UNDERSTOOD

Safety Precautions



NEVER operate or assemble the equipment without **fully** understanding the operating instructions of both the equipment unit and the parent machine.

Auger Torque recommend you receive dealer instruction before operating the unit.

NEVER operate the equipment unless you are in good physical condition and mental health.

NEVER operate the equipment under the influence of any substance (including drugs & alcohol) which might impair vision.

NEVER operate the equipment with worn, damaged or missing parts. Use only genuine replacement parts.

NEVER allow bystanders (including animals) within 6 metres/20 foot of the work area.

NEVER allow minors to operate the equipment.



ALWAYS survey the work area before commencing operations. Check for potential hazards, eg. Electricity or communication cables etc.

ALWAYS ensure that the parent machine is secure and stable with it's engine switched off before carrying out any maintenance work.

ALWAYS ensure the hydraulic oil supply to the attachment is disconnected by uncoupling the hydraulic hose connectors before fitting, removing or adjusting the equipment

ALWAYS wear head protection and eye protection when working on the unit.

ALWAYS protect hands. Select appropriate when handling the equipment during fitting, removing or adjusting the unit.

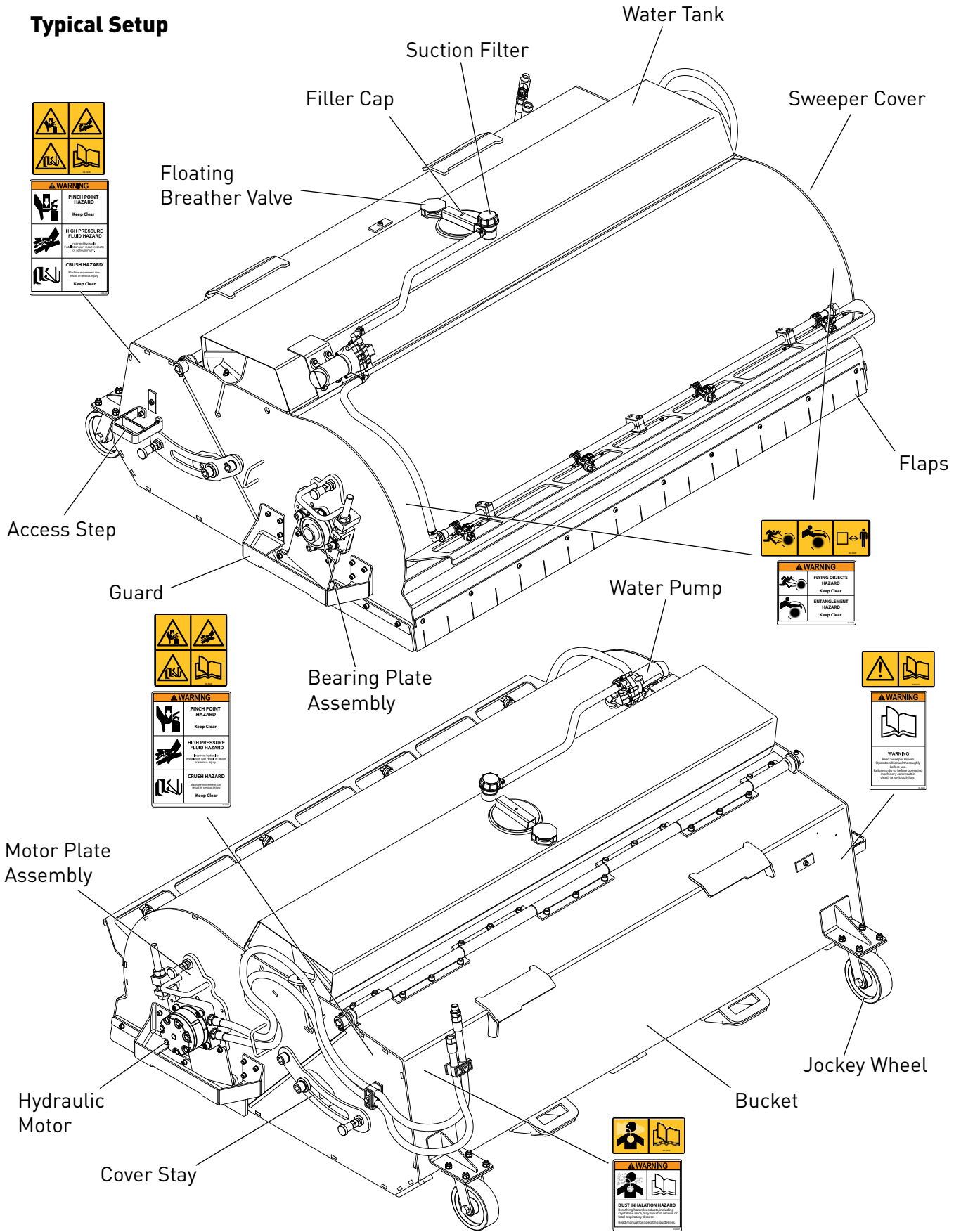
ALWAYS protect feet. Wear approved safety boots.

ALWAYS follow the parent machine instructions regarding noise protection.

STAY ALERT. Should something break, come loose or fail to operate on your equipment, STOP WORK, lower equipment to the ground, shut off the engine and lock out hydraulic supply, inspect the machine and have repairs or adjustments made before resuming operation.

IDENTIFICATION

Typical Setup



FITTING THE SWEEPER UNIT

Skid Steer Loaders

SAFETY FIRST



Always work in pairs (2 skilled operatives) whenever Sweeper Unit components are being assembled or disassembled from the parent machine. Always check the weight of the attachment and ensure you have the correct equipment for handling it.



ALWAYS check parent machine:

- Is in correct working order
- Is parked correctly on flat ground
- Has its hand brake **ON**, its hydraulic circuit locked out and its engine switched **OFF**.

Check that the mounting frame is of the correct model and type to fit the parent machine. Ensure mounting frame and attachment points are clean before fitting. Use suitably rated lifting equipment if required (see data plate for weight).



FITTING Ensure all components are greased on assembly:

Refer to the parent machines operators manual for attaching accessories

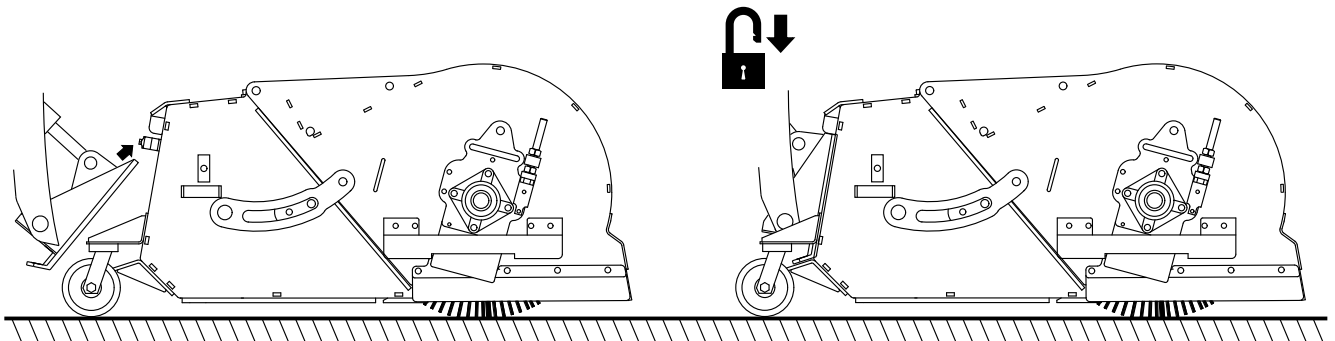
Fit Sweeper to parent machine arms and lock in place.

Locate the flow and return hydraulic pipes on the Sweeper Unit (see page 15).

Connect hydraulic pipes to parent machine

Connect quick release couplers (if fitted).

Check that the hydraulic pipes are of sufficient length to allow the sweeper to move during work.



HYDRAULIC CONNECTIONS



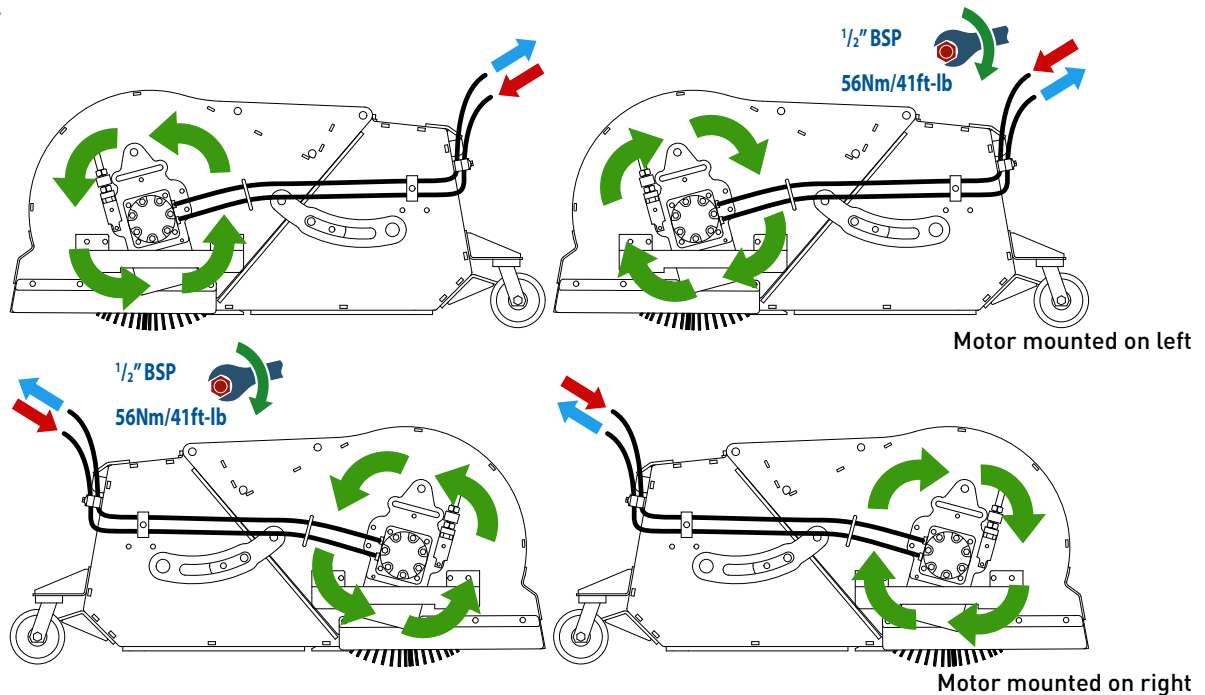
WARNING:

Hydraulic fluid under pressure can penetrate the skin or eyes and cause serious personal injury, blindness or death. Fluid leaks under pressure may not be visible. Use a piece of card or wood to find leaks. **DO NOT** use your bare hands. Wear safety goggles to protect your eyes. If any fluid is injected into the skin, it **MUST** be surgically removed. Seek immediate medical attention.

Auger Torque Sweeper Units have been designed for use with specific Auger Torque mounting frames and Sweeper wear parts. Provided these are used and maintained correctly, they will provide a safe and reliable method of construction cleanup.

All Auger Torque Sweeper Units require a 'flow' and 'return' of hydraulic fluid from the parent machine's auxiliary hydraulic power supply to operate. All Sweepers are reversible and require the host machine to be fitted with a two way flow auxiliary circuit. Check with the parent machine dealer for advice.

When fitting hydraulic hoses, ensure that they are tightened to the correct torque for the hose fittings.



Some models of Sweeper are supplied with hydraulic quick release couplers, which are required for connection to parent machine.

The parent machine auxiliary hydraulic connections are normally located near the end of the loader arms. The motor and bearing assemblies on the Sweeper unit can be changed over from right to left so that the motor hoses are positioned near the auxiliary hydraulic connections on the parent machine.

It is critical that the supply of oil is within the stated limits for the particular Sweeper unit. Check that the rated flow (l/min - gal/min) & pressure (Bar - PSI) of your machine does not exceed the limits shown on the serial plate.

PREPARATION



Learn sweeper and prime mover controls in an off road location.

ALWAYS carry out a site survey and risk assessment **BEFORE** starting work.

Remove from the sweeping area all property that could be damaged by flying debris.

When operating sweeper, adhere to all government rules, local laws and other professional guidelines for sweeping application.

Observe wind direction. Sweeping with the wind makes sweeping more effective and helps keep debris off the operator.

If in doubt professional advice should always be considered before carrying out any work.

STORAGE



Do not store the sweeper with weight on the brush. Weight will deform the bristles which will effect there efficiency.

Do not store polypropylene brushes in direct sunlight.

Keep polypropylene brushes away from intense hest or naked flame.

OPERATING PROCEDURE

Before commencing work, ensure that:



The correct hoses are fitted and tightened correctly (See page 15).

ALL large objects that could harm the operator or others if thrown by the sweeper, remove these items before operating.



There are no bystanders within the nominated radius as defined in the risk assessment completed prior to commencing any works.

Speeds

Vary brush, travel and engine speeds to match sweeping conditions.

Dirt and Gravel

To keep dust to a minimum try to plan sweeping for overcast or humid days or after it has rained.

Always try to use the sweeper with the wind at your back.

On hard surfaces a low brush speed and moderate travel speed required.

When sweeping gravel use just enough brush speed to roll the gravel not throw it.

Heavy Debris

A slow travel speed is required.

Sweep a path less than the full width of the sweeper.

Increased engine speed may be required if debris becomes very heavy.

During Use

Always carry the sweeper low to the ground to ensure good operator visibility.

Avoid excessive downward pressure on the brush and jockey wheels to prevent excessive wear.

Do not sweep hot material of any kind.

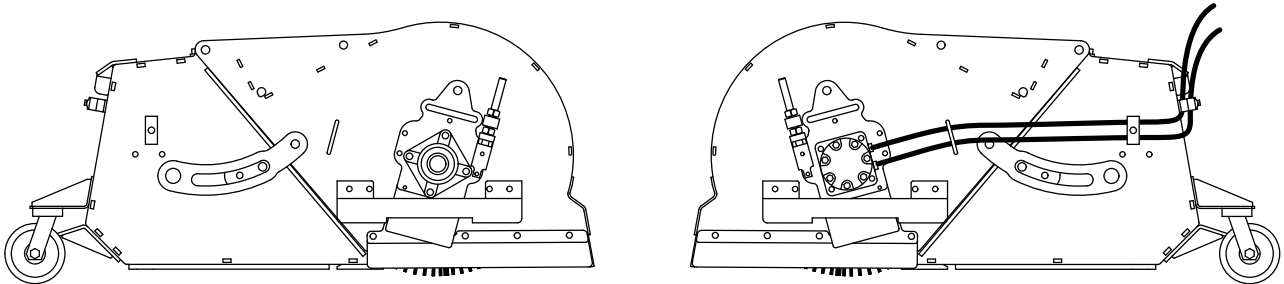
Emptying the bucket

Empty the bucket by raising the sweeper above the container, using the tilt controls to tilt the sweeper forwards the sweeper cover will open and the debris will be discharged.

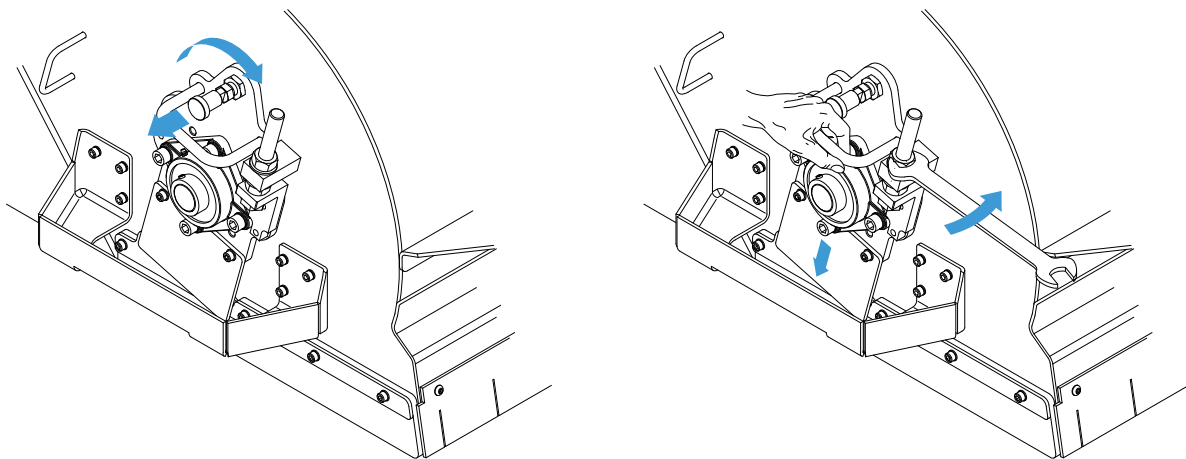
ADJUSTMENTS

Adjusting The Sweeper Brush

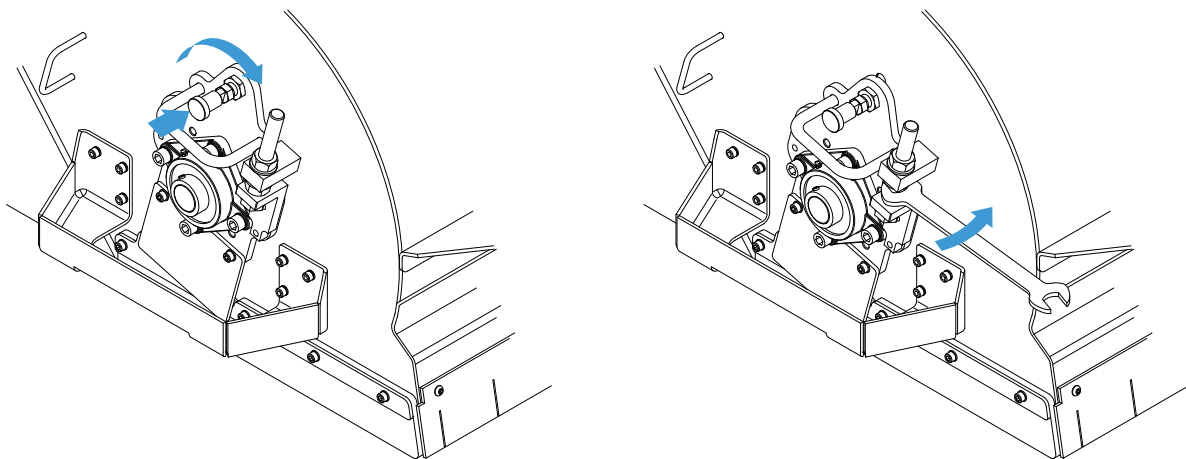
A properly adjusted brush offers the best sweeping performance. Initial brush setting, as delivered.



To adjust the brush height, with an operator standing at both sides pull the plunger out rotating 90° to lock the plunger in the out position. Hold the handle on the sliding plates and lower the shaft to the next available height position by undoing the top locknut on both sides.

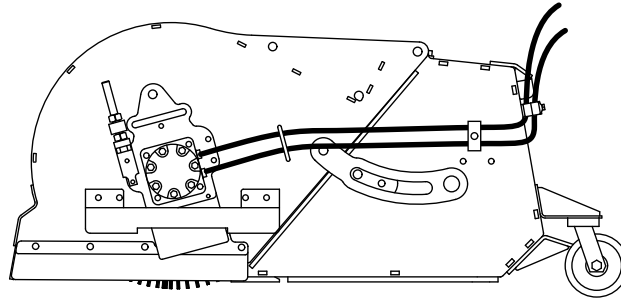


Rotate the plunger 90° to locate into the hole below the current height position. When both plungers are located tighten the lower locknut on each side.



Changing The Motor Position

The motor can be fitted to either end of the Sweeper Broom to suit the hose location of the parent machine. The following example changes the motor from the left side to the right (as seen from inside the parent machine cab).



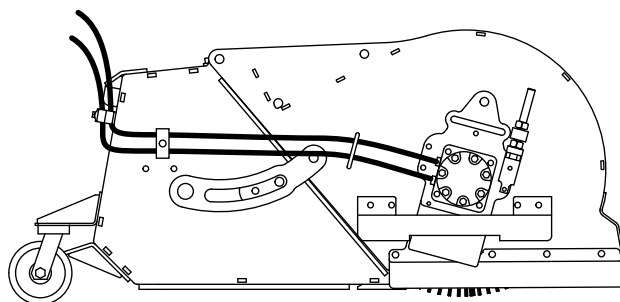
Remove the brush from the Sweeper cover (refer to the Brush Removal section). Remove bearing and motor assemblies from the shaft by pulling away from the brushes.

Remove the 4 x M12 cap screws and M12 locking/anti vibration washers that hold the motor housing to the left hand sliding plate. Remove the motor housing from sliding plate. Remove the 4 x M14 cap screws and M14 locking/anti vibration washers that hold the bearing housing to the right hand sliding plate. Remove the bearing housing from sliding plate.

Fit motor housing to the left hand sliding plate Then secure the motor housing using the 4 x M12 cap screws and locking/anti vibration washers. Tighten the screws to 135Nm.

Fit bearing housing to the right hand sliding plate Then secure the bearing housing using the 4 x M14 cap screws and locking/anti vibration washers.

Slide the motor and bearing assemblies onto the shaft in the new position. Follow the Brush Removal instructions in reverse to re-attach to the Sweeper cover. The Sweeper is now set up with the motor on the right hand side.



MAINTENANCE & LUBRICATION

SAFETY



Safety at all times



Ensure environmentally safe disposal of waste oil:

Do not pour down drain!



Avoid Fire or Explosion:

Do not smoke near, or expose lubricants to, any possible sources of ignition (e.g. fire, electrical sparks or heat sources.)



All lubricants are toxic and potentially carcinogenic (cancer causing).



Avoid contact with skin and eyes:

Wear suitable protective clothing and gloves.



Always use a suitable barrier cream in case of skin contact.



Always wear eye protection:

In the event of skin contact wash with soap and water.

In the event of eye contact wash with water and seek medical advice.



Do not ingest:

If swallowed seek medical advice immediately.

Routine Maintenance:

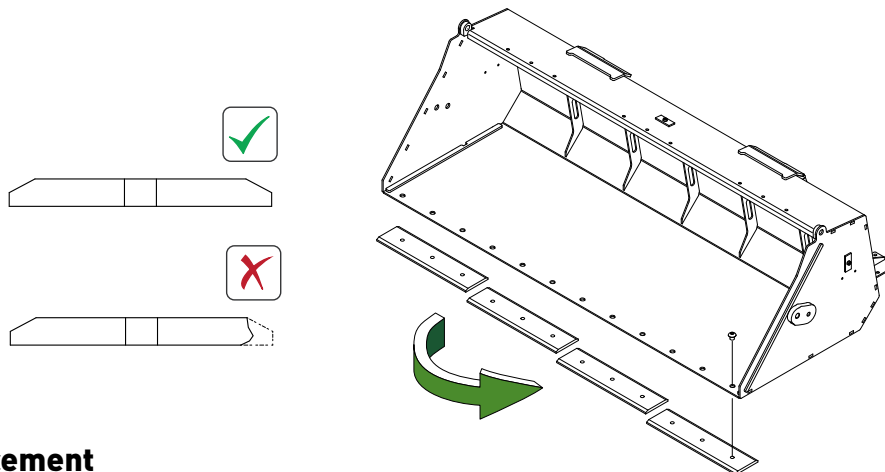
Regular maintenance is the key to long equipment life and safe operation. Maintenance requirements have been reduced to the absolute minimum. However, it is very important that these maintenance functions be performed as described below.

DAILY

- Check all bolts and nuts for tightness.
- Replace any missing bolts or nuts with approved replacement parts.
- Check hydraulic system for hydraulic oil leaks. See procedure below.
- Visually inspect the machine for worn parts or cracked welds and repair as necessary.

Bucket Edge Cutters

The edge cutters are double sided and can be rotated through 180° horizontally when the cutting edge becomes worn or damaged. To remove the edge cutters from the front of the bucket, remove the 12 x M16 button head screws, rotate and re-arrange the edge cutters and replace screws.

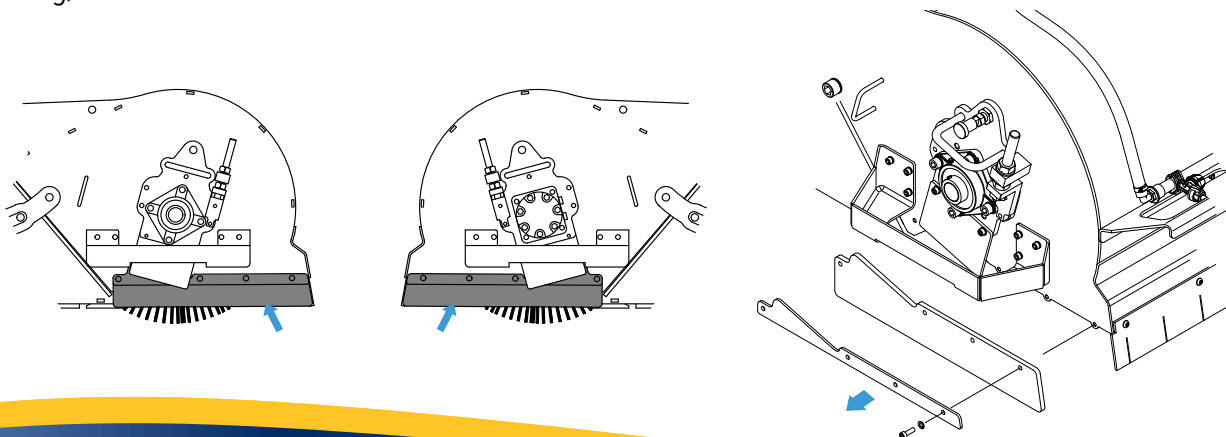


Brush Replacement

When the brushes reach a diameter of 10" (254 mm), it is necessary to replace them in order to maximize the performance of your sweeper broom.

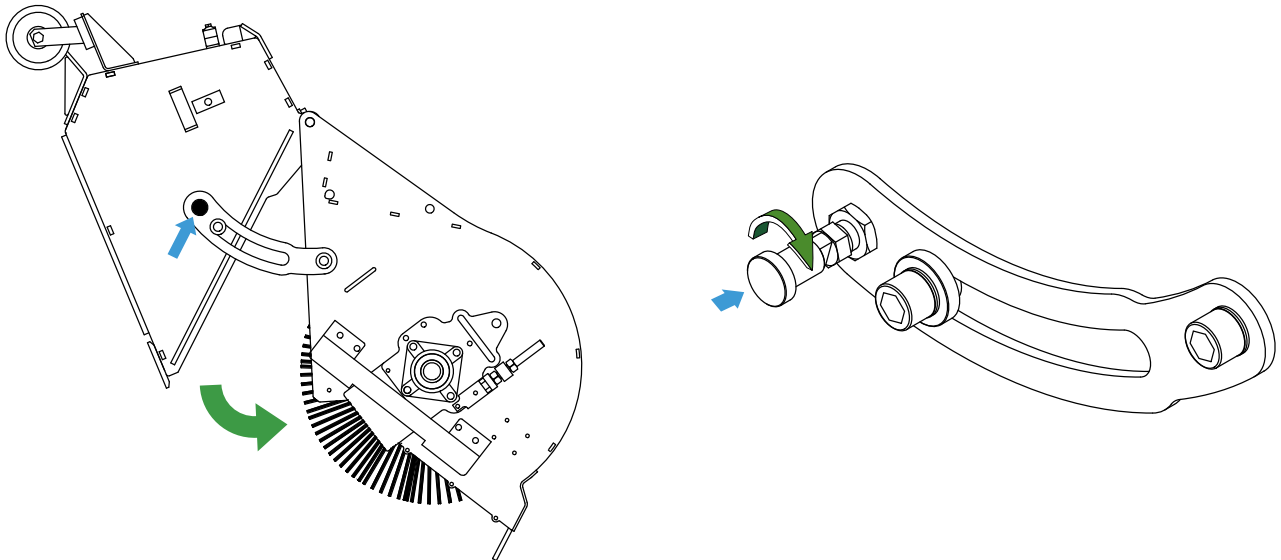
Brush Removal

Remove side flaps from each side of the sweeper cover by removing the 8 x M8 cap screws and M8 locking/anti vibration washers.

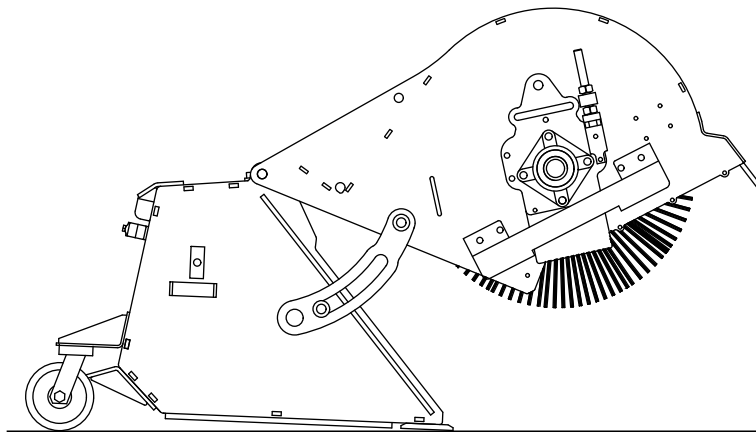


Raise the sweeper using the parent machine, tilt the sweeper forwards separating the sweeper bucket and brush cover until the brush cover comes to a stop.

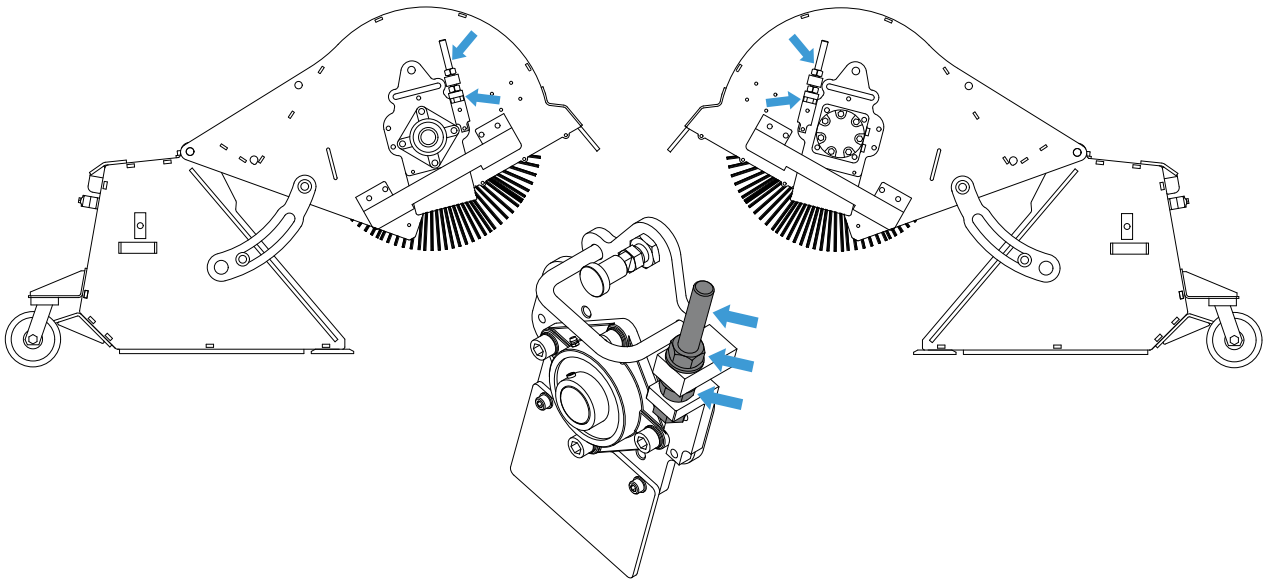
Rotate 90° the cover stay lock plungers on both sides. This will lock the brush cover into position to enable safe removal of the brushes and shaft.



Lower the Sweeper bucket so that the base is level with the ground. The Sweeper cover will remain raised to enable safe removal of the brushes and shaft.



To remove the brushes and shaft, remove the M20 Bolts, Washers and M20 Nuts from the bearing and motor sliding plates.

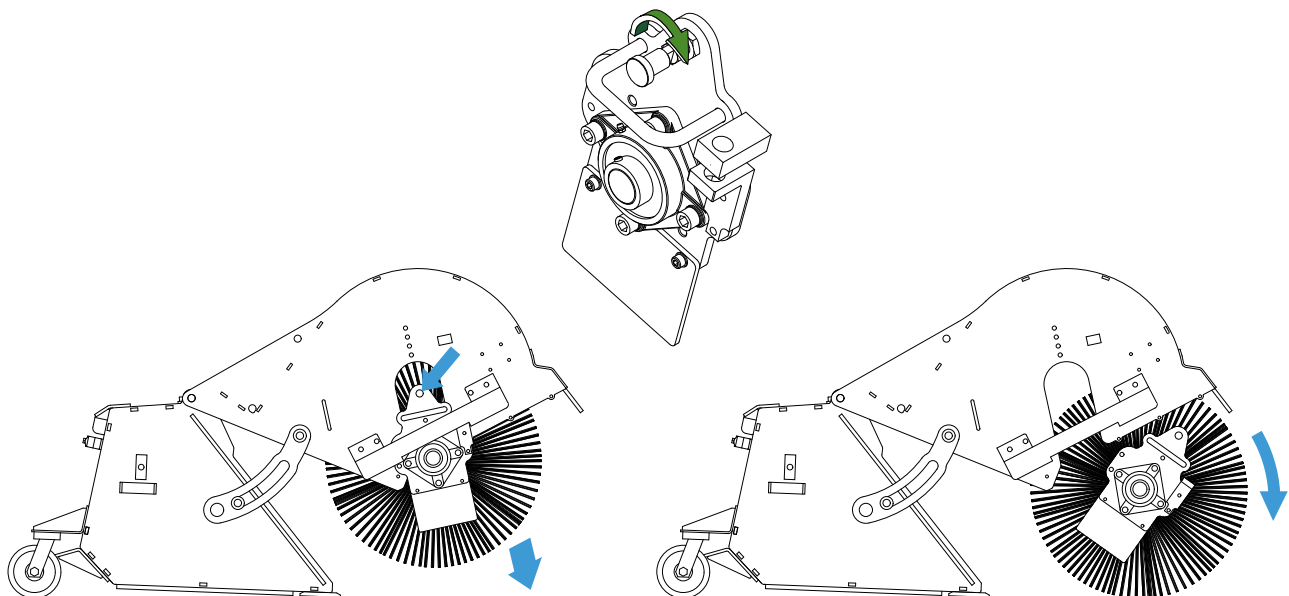


With an operator standing at both sides, hold the handle on the sliding plates and pull the plunger out and rotate 90° to lock plunger in the out position.

Lower the brushes until they touch the floor then roll them away from brush cover.

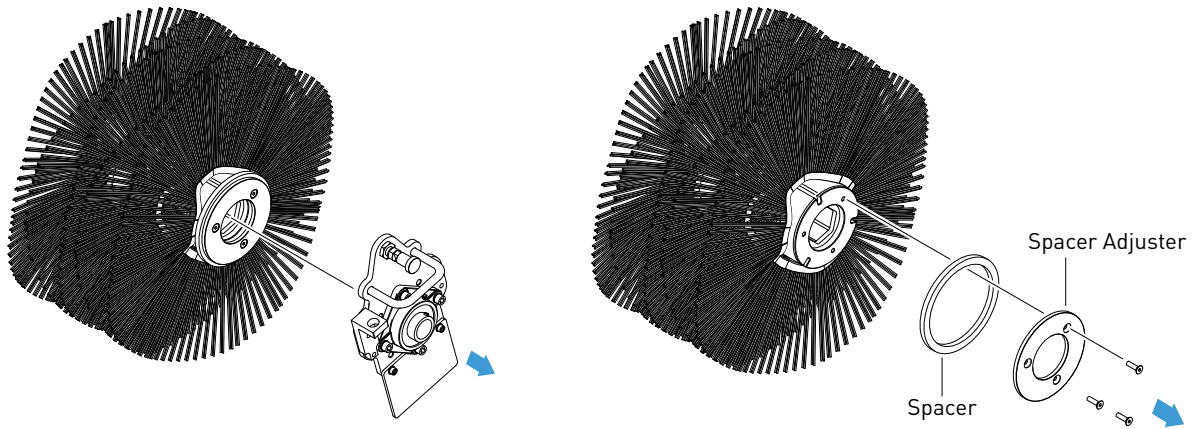
Note: the motor and bearings are not fixed to the shaft so may come away from the shaft during brush removal.

Remove bearing and motor assemblies from the shaft by pulling away from the brushes.

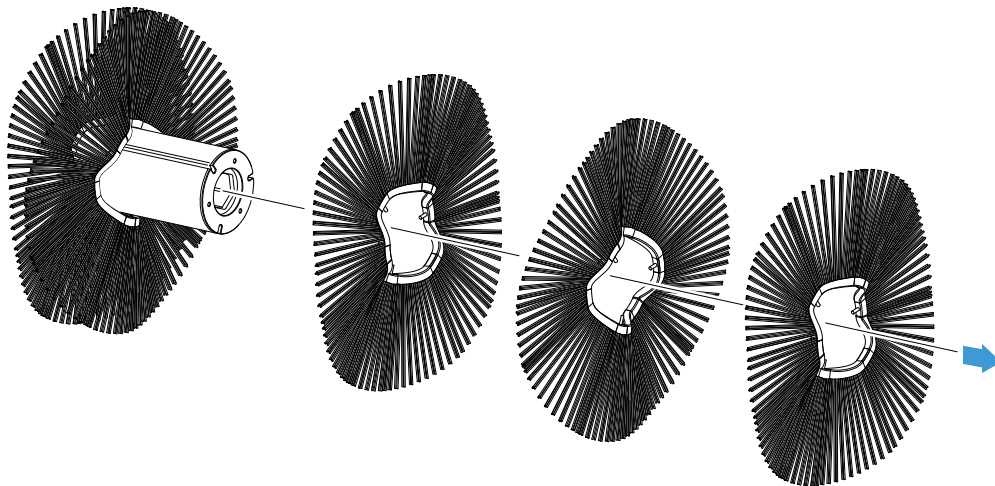


Replacing Brush Sections

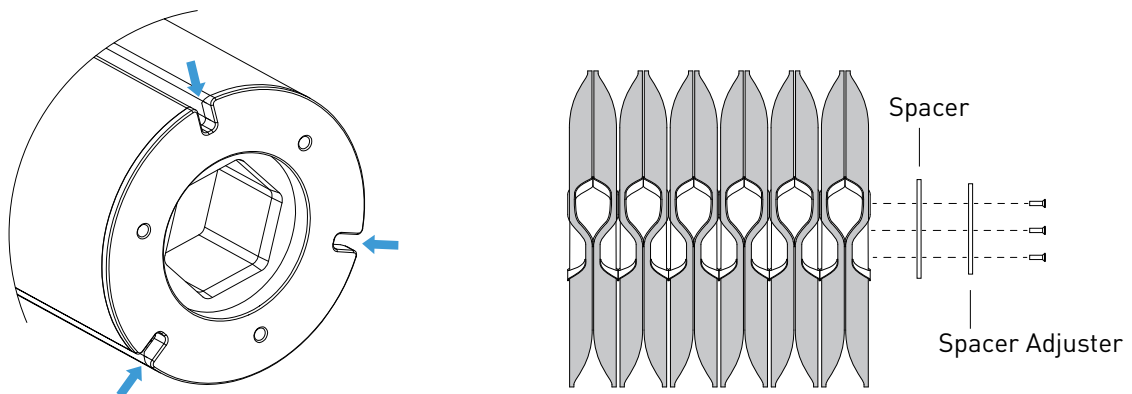
Pull the bearing assembly away from the end of the brush shaft. Remove the 3 x M8 countersunk set screws from the Spacer Adjuster and remove the Spacer Adjuster and Spacer Plate.



Slide each brush section off the end of the brush shaft.



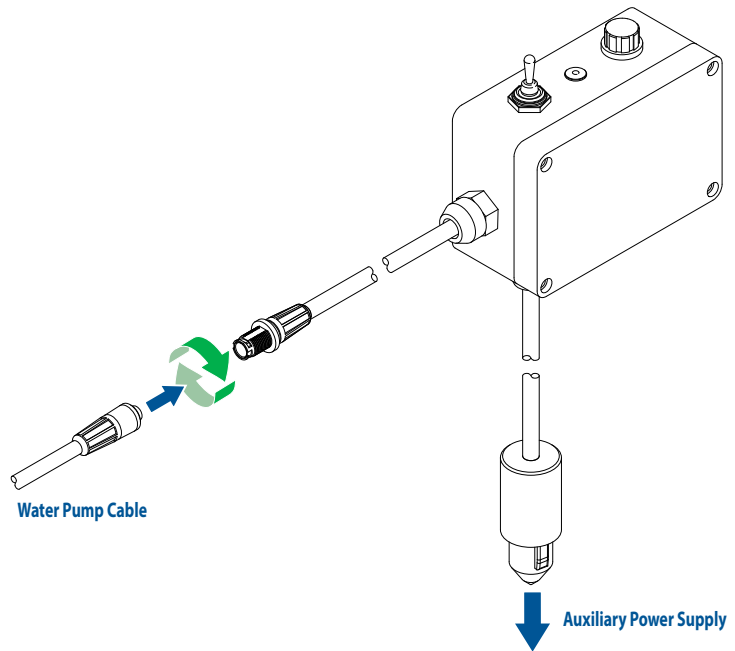
Noting the orientation, fit the new brush sections by sliding onto the brush shaft, aligning the brush locating pins with the 3 grooves along the brush shaft. Follow the pattern as shown below. Refit the Spacer Adjuster and Spacer Plate using the 3 x M8 countersunk set screws to the end of the brush shaft.



DUST SUPPRESSION SYSTEM

Control Box

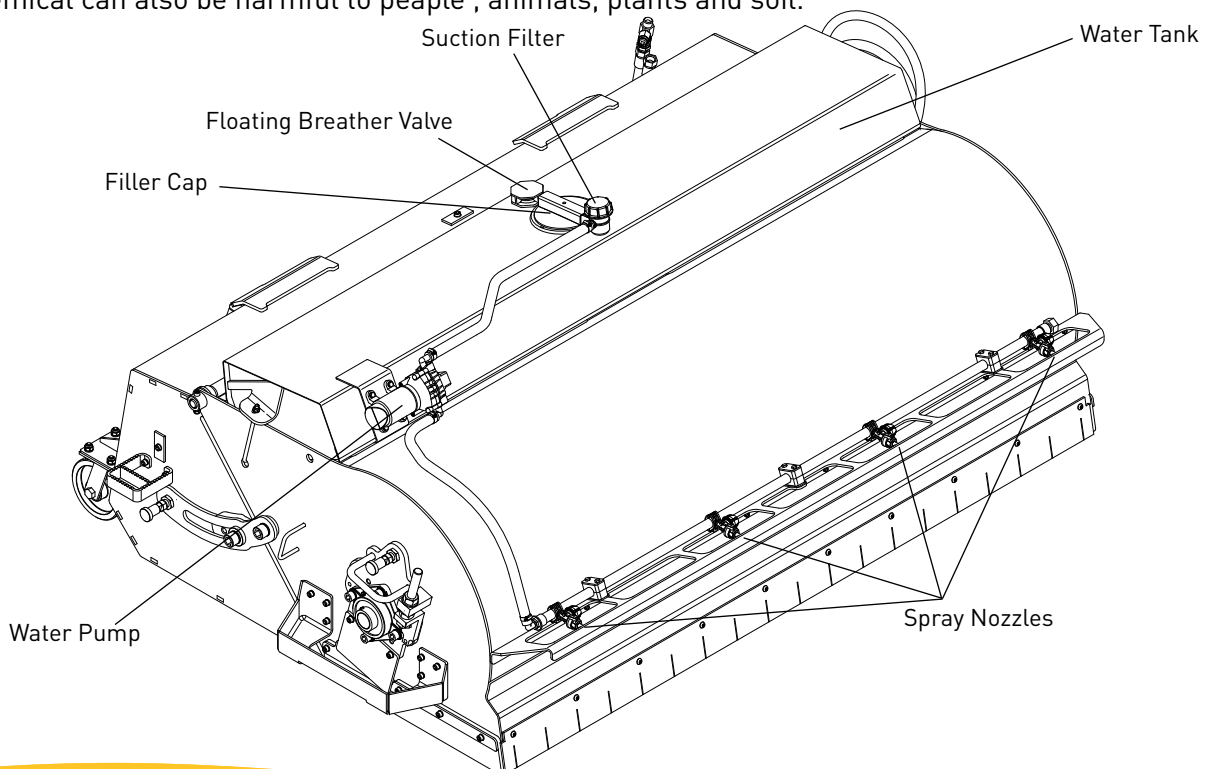
- Mount control box in a suitable position in the operators area so that the toggle switch is accessible.
- Route cable from pump along parent machine to the control box in the operator's area. Secure as necessary, ensure cable is free from moving parts.
- Connect the cable plug to the control box plug.
- Connect the control box to the parent machines auxiliary power supply.
- The water pump is switched on an off with the toggle switch on the control box.



WARNING: Do not run the pump without adequate water.

Water Tank

Fill water tank with clean fresh water do not use dirty water, salt water or chemicals. Dirty water can block the system and spray nozzels. Salt water and chemicals will corrode the system. Chemical can also be harmful to people , animals, plants and soil.



TROUBLESHOOTING

IF IN DOUBT ASK! - Seek Auger Torque / parent machine dealer for advice & repair.

BE SAFE - only use genuine Auger Torque / parent machine spare parts.

SWEEPER - OPERATION		
FAULT	POSSIBLE CAUSE	ACTION
Motor will not operate	Hoses incorrectly fitted	Reconnect hoses correctly to parent machine
	Sweeper unit seized	Seek advice from Auger Torque dealer
Slow broom operation	Insufficient oil flow from parent machine	Check that parent machine hydraulic two way flow system is operating correctly and has sufficient oil of the correct grade
	Incompatible Sweeper to parent machine combination	Check specification. Seek advice from Auger Torque dealer
Brush slows or stops when sweeping	Worn Sweeper hydraulic motor possibly due to incorrect or dirty oil supply	Seek advice from Auger Torque dealer. Only use genuine spare parts.
	Parent machine pressure relief valve faulty or set too low	Change parent machine hydraulic oil and filter.
	Restricted oil flow	Reset/replace pressure release valve to parent machine's specification
	Blocked hydraulic filter	Check for damaged or incorrect hydraulic hoses and connections Change parent machine filter and oil
	Excessive parent machine pull on Sweeper	Reduce machine pull on Sweeper
	Insufficient parent machine hydraulic pressure	Check that parent machine oil pressure meets with Sweeper requirements
	Incompatible Sweeper / parent machine combination	Check specification. Seek advice from Auger Torque dealer
	Trying to sweep too much material	Reduce the amount of material being swept. Make more passes
Brush rotates in wrong direction	Hoses installed incorrectly	Switch hoses connections to reverse oil supply

SWEEPER - OPERATION

FAULT	POSSIBLE CAUSE	ACTION
Brush wears very quickly	Brush pattern too wide	Adjust brush pattern
High hydraulic oil temperature	Low hydraulic oil level on parent machine	Add hydraulic fluid
	Hydraulic oil filter dirty	Replace filter
	Hydraulic hoses blocked	Clear obstruction in hose
	Quick release couplers not seated correctly	Reconnect quick release couplers
	Travel speed too fast	Reduce travel speed

WARRANTY STATEMENT

Auger Torque provide a LIFETIME parts replacement warranty on the dislodgement of the Earth Drill shaft and any failure of the Shock Lock system to prevent loss of teeth under normal operating conditions.

All Auger Torque products are warranted to be free from defects in materials or workmanship for the periods summarised below:

- Hydraulic Motors - 24 Months
- All Other Parts / Products - 24 Months excluding wear parts (Brushes, Flaps and Cutting Edge)

The warranty periods will commence from Date of Sale by an authorised Auger Torque Dealer. Evidence of the date of sale may be required and for Planetary and Hydraulic Motor warranties to be valid the product must be registered with Auger Torque within 4 weeks of the date of sale. Extended Warranty (> 12 months) Products can be registered by returning the Registration Card or completing the form on page 6. This warranty is not transferable beyond the initial purchaser of the product.

A warranty claim should be reported to the Auger Torque Dealer who supplied the unit. The Dealer, with the technical backup of Auger Torque, will make an initial assessment.

The customer is responsible for returning the product for warranty inspection to the original supplying dealer's facility. Parts should not be delivered without the prior agreement of the dealer or Auger Torque.

During the warranty period Auger Torque, at its option, will repair or replace any parts free of charge determined as defective by Auger Torque. Such repairs will be undertaken by Auger Torque or its nominated representative at an Auger Torque facility or a location deemed suitable by Auger Torque. Auger Torque are not liable for any associated costs relating to a warranty failure.

Parts repaired or replaced by Auger Torque are then covered by this warranty for the remainder of the original warranty as if such parts were original parts.

Products or parts which, as determined by Auger Torques examination, show wear from normal use, have been improperly operated, damaged by accident or negligence, altered or modified are not considered defective and are not covered by this warranty.

This warranty is void if any attempt is made to make field repairs unless these have been pre-approved in writing by Auger Torque.

This warranty is void if the products are not serviced in-line with the instructions in the Operators Manual. Particular care should be taken to perform regular oil changes in gearboxes.

This warranty is exclusive and in-lieu of any other expressed warranties. There are no warranties of merchantability or fitness for a particular purpose. Auger Torque shall not be liable for any consequential, incidental or punitive damages, losses or expenses, including those resulting from or caused by any defects.

As you would expect from Auger Torque, with our extensive experience and product reliability we'll always go the extra mile to keep you working.



YOUR DEALER IS

Auger Torque Europe Ltd

Hazleton
Cheltenham
GL54 4DX
England

Tel: +44 (0) 1451 861652

Fax: +44 (0) 1451 861660

Email: sales@augertorque.com

Auger Torque Australia Pty Ltd

122 Boundary Rd
Rocklea
Queensland 4106
Australia

Tel: +61 (0) 7 3274 2077

Fax: +61 (0) 7 3274 5077

Email: sales@augertorque.com.au

Auger Torque USA LLC

2640 Jason Industrial Parkway
Winston, GA 30187
USA

Tel: (+1) 844 287 6300

Fax: (+1) 770 947 9916

Email: sales@augertorqueusa.com

www.augertorque.com



Products and specifications subject to change without prior notice.

Some products may not be available in your country or region.

AUGER TORQUE, SHOCK LOCK™, NDS™ and the AUGER TORQUE LOGO are trademarks of Auger Torque Europe Ltd © 2021 Auger Torque Europe Ltd. All Rights Reserved.