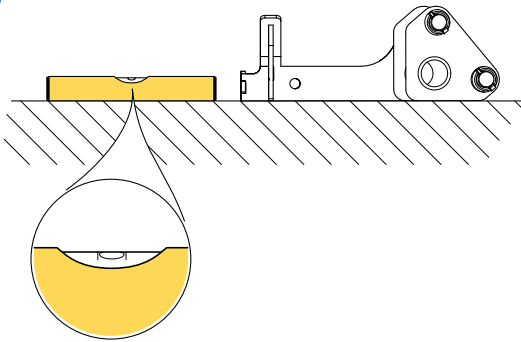
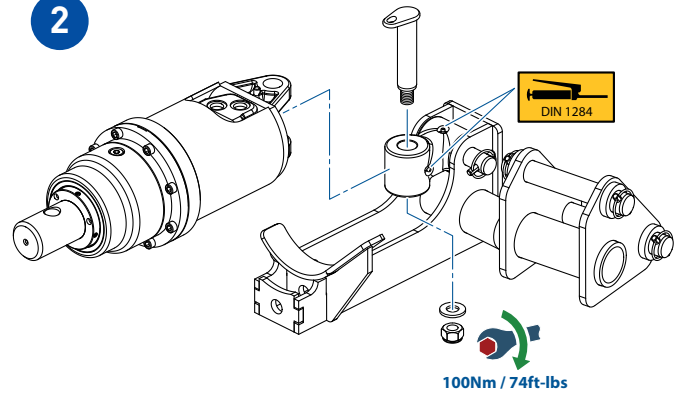




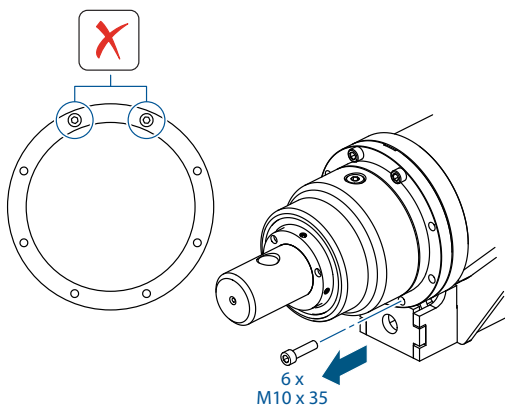
1



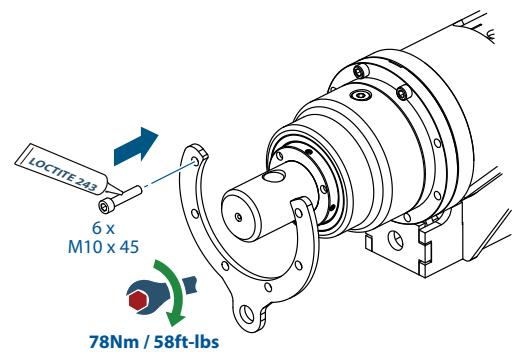
2



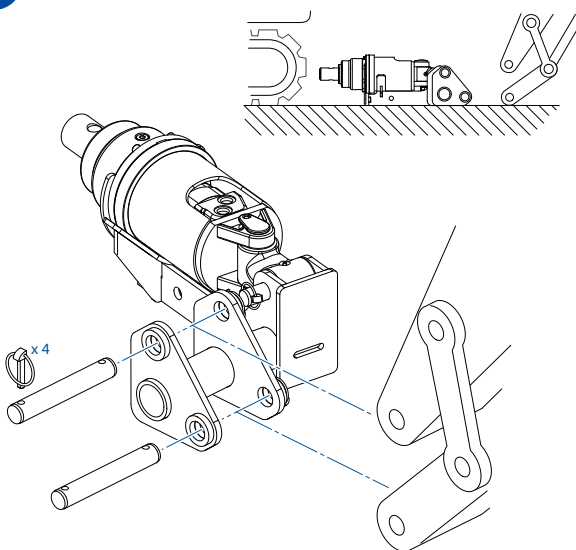
3



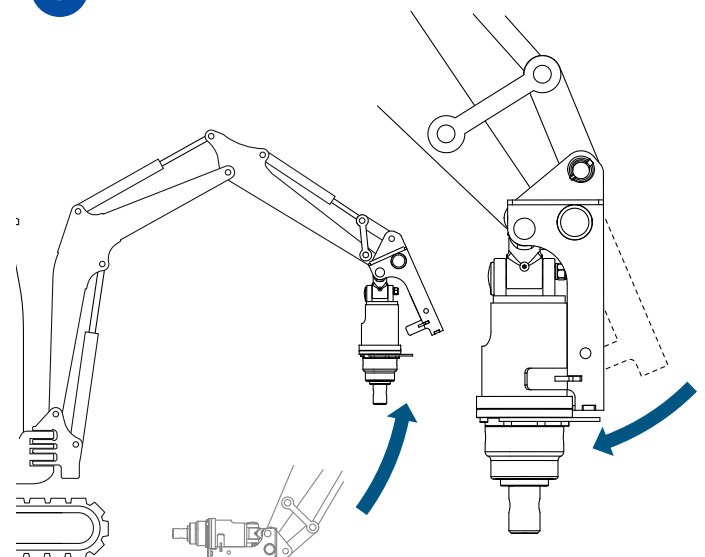
4



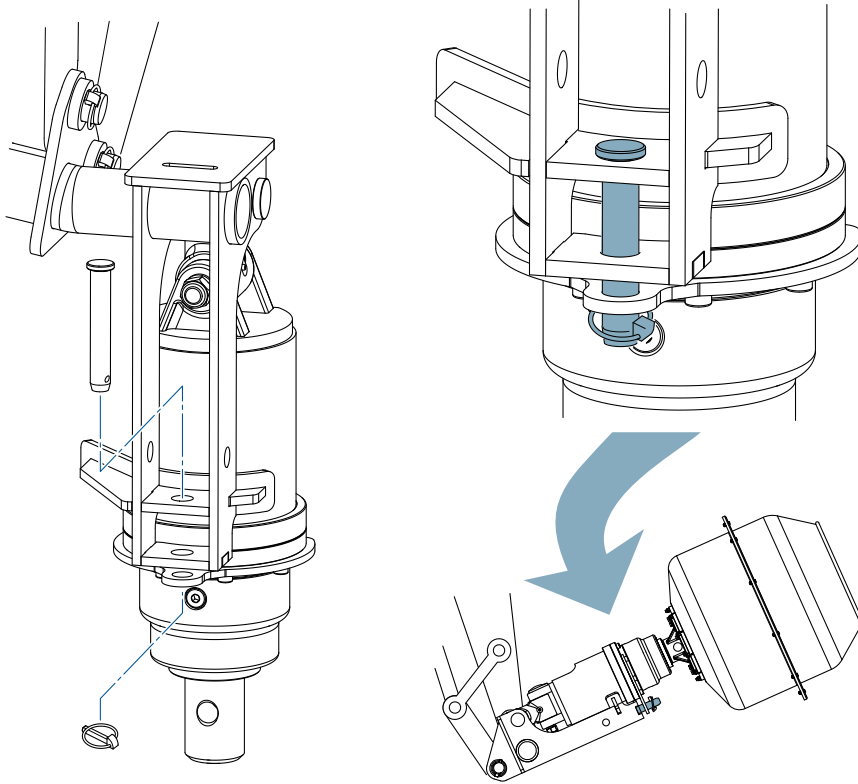
5



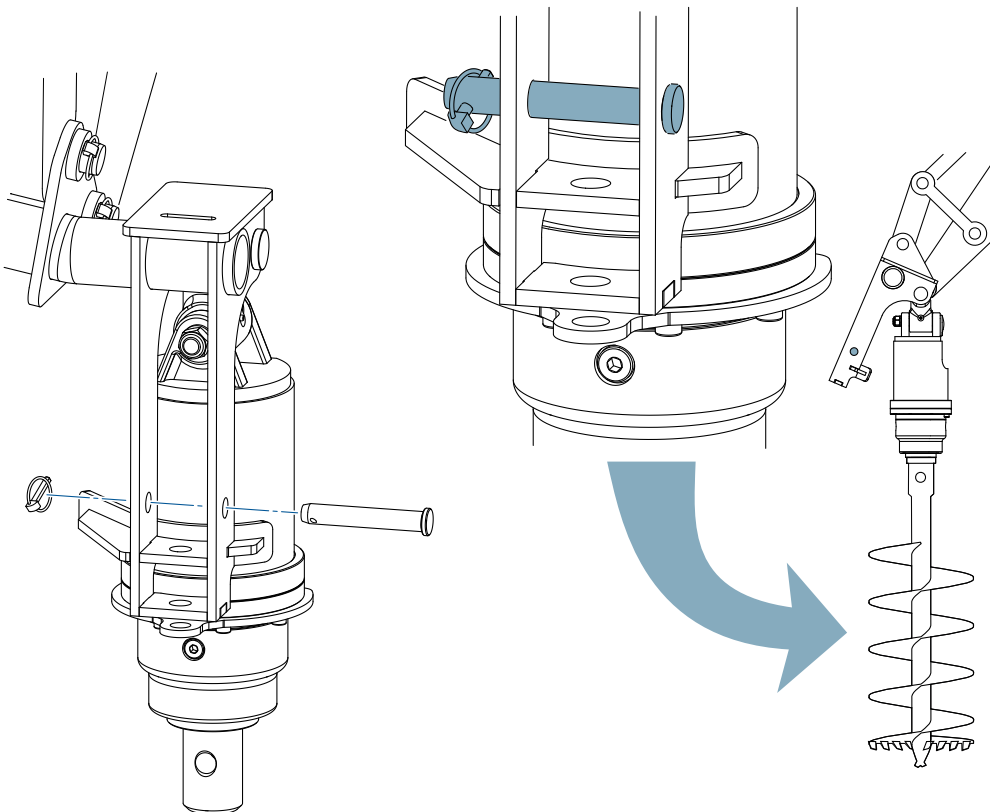
6



7a



7b





## WARRANTY STATEMENT

**Auger Torque provide a LIFETIME parts replacement warranty on the dislodgement of the Earth Drill shaft and any failure of the Shock Lock system to prevent loss of teeth under normal operating conditions.**

All Auger Torque products are warranted to be free from defects in materials or workmanship for the periods summarised below:

- Planetary Gearbox Components - 72 Months
- Hydraulic Motors - 36 Months
- All Other Parts / Products - 12 Months

The warranty periods will commence from Date of Sale by an authorised Auger Torque Dealer. Evidence of the date of sale may be required and for Planetary and Hydraulic Motor warranties to be valid the product must be registered with Auger Torque within 4 weeks of the date of sale. Extended Warranty (> 12 months) Products can be registered by returning the Registration Card or completing the form on page 8. This warranty is not transferable beyond the initial purchaser of the product.

A warranty claim should be reported to the Auger Torque Dealer who supplied the unit. The Dealer, with the technical backup of Auger Torque, will make an initial assessment.

The customer is responsible for returning the product for warranty inspection to the original supplying dealer's facility. Parts should not be delivered without the prior agreement of the dealer or Auger Torque.

During the warranty period Auger Torque, at its option, will repair or replace any parts free of charge determined as defective by Auger Torque. Such repairs will be undertaken by Auger Torque or its nominated representative at an Auger Torque facility or a location deemed suitable by Auger Torque. Auger Torque are not liable for any associated costs relating to a warranty failure.

Parts repaired or replaced by Auger Torque are then covered by this warranty for the remainder of the original warranty as if such parts were original parts.

Products or parts which, as determined by Auger Torques examination, show wear from normal use, have been improperly operated, damaged by accident or negligence, altered or modified are not considered defective and are not covered by this warranty.

This warranty is void if any attempt is made to make field repairs unless these have been pre-approved in writing by Auger Torque.

This warranty is void if the products are not serviced in-line with the instructions in the Operators Manual. Particular care should be taken to perform regular oil changes in gearboxes.

This warranty is exclusive and in-lieu of any other expressed warranties. There are no warranties of merchantability or fitness for a particular purpose. Auger Torque shall not be liable for any consequential, incidental or punitive damages, losses or expenses, including those resulting from or caused by any defects.

**As you would expect from Auger Torque, with our extensive experience and product reliability we'll always go the extra mile to keep you working.**



**YOUR DEALER IS**

**Auger Torque Europe Ltd**  
Hazleton  
Cheltenham  
GL54 4DX  
England  
Tel: +44 (0) 1451 861652  
Fax: +44 (0) 1451 861660  
Email: [sales@augertorque.com](mailto:sales@augertorque.com)

**Auger Torque Australia Pty Ltd**  
122 Boundary Rd  
Rocklea  
Queensland 4106  
Australia  
Tel: +61 (0) 7 3274 2077  
Fax: +61 (0) 7 3274 5077  
Email: [sales@augertorque.com.au](mailto:sales@augertorque.com.au)

**Auger Torque USA LLC**  
2640 Jason Industrial Parkway  
Winston, GA 30187  
USA  
Tel: (+1) 844 287 6300  
Fax: (+1) 770 947 9916  
Email: [sales@augertorqueusa.com](mailto:sales@augertorqueusa.com)

[www.augertorque.com](http://www.augertorque.com)



Products and specifications subject to change without prior notice.  
Some products may not be available in your country or region.

AUGER TORQUE, SHOCK LOCK™, NDS™ and the AUGER TORQUE LOGO are trademarks of Auger Torque Europe Ltd © 2021 Auger Torque Europe Ltd. All Rights Reserved.