

PALLET FORKS

QUICK START GUIDE

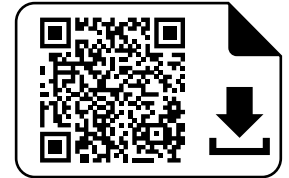


This Auger Torque quick start guide will enable you to get your new product up and running in no time. The complete operators manual is available on the Auger Torque website. To download a copy in pdf format, simply scan the QR code or visit www.augertorque.com.

99-95513002 - ISSUE 1-0

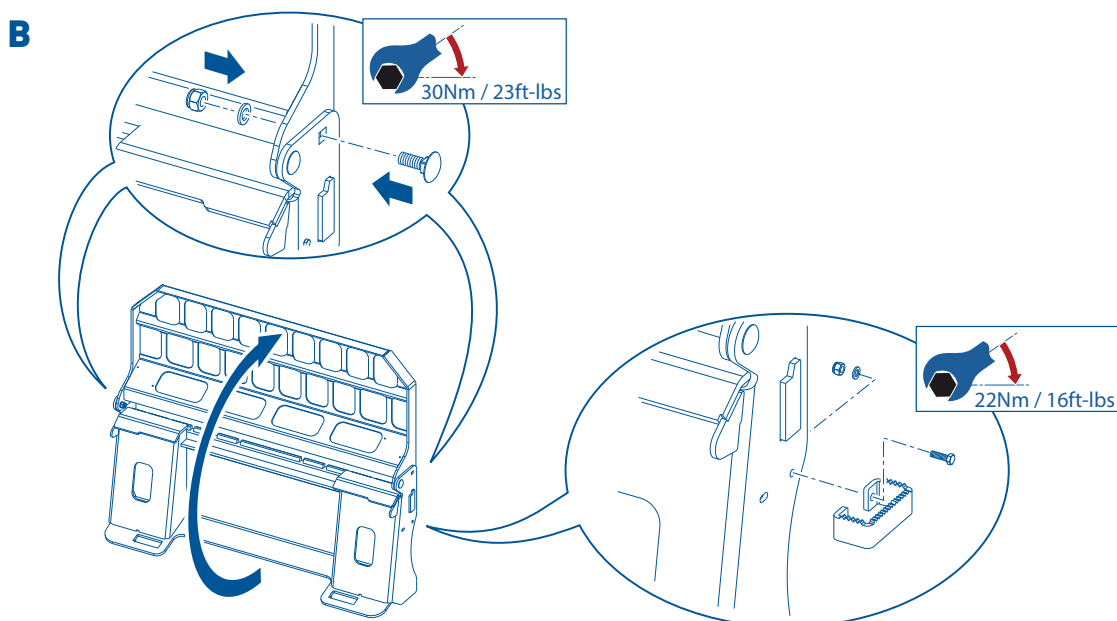
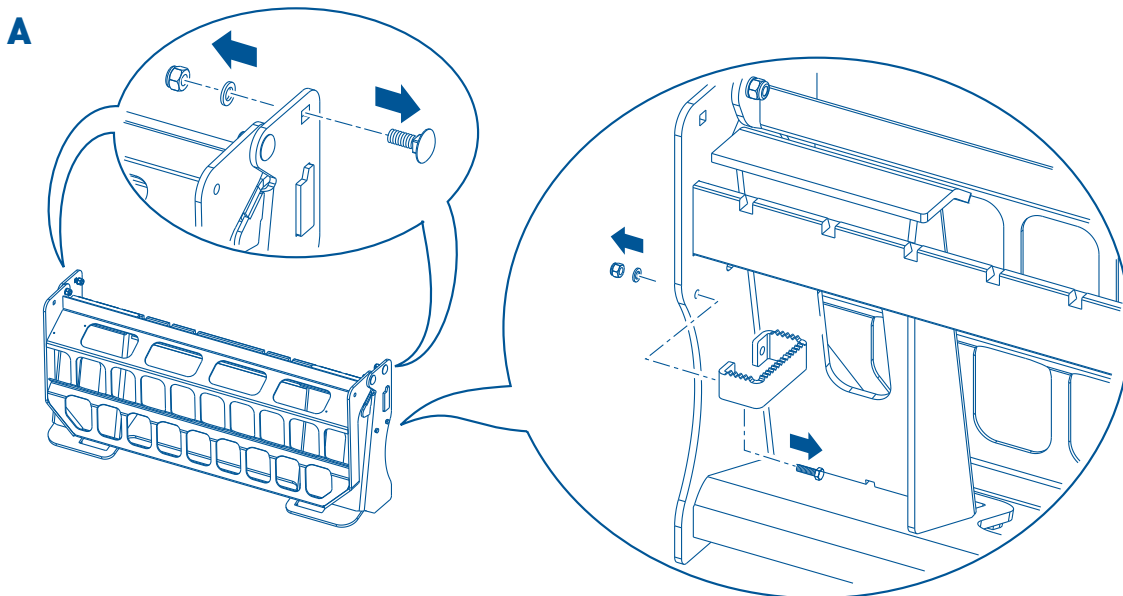
ENGLISH

For warranty purposes this product **MUST** be registered with Auger Torque within 14 days of purchase by the end user.



PALLET FORK ASSEMBLY

Remove one bolt from each side (A) lift Brick Guard (B) and replace bolts, torque to 30Nm / 23ft-lbs.

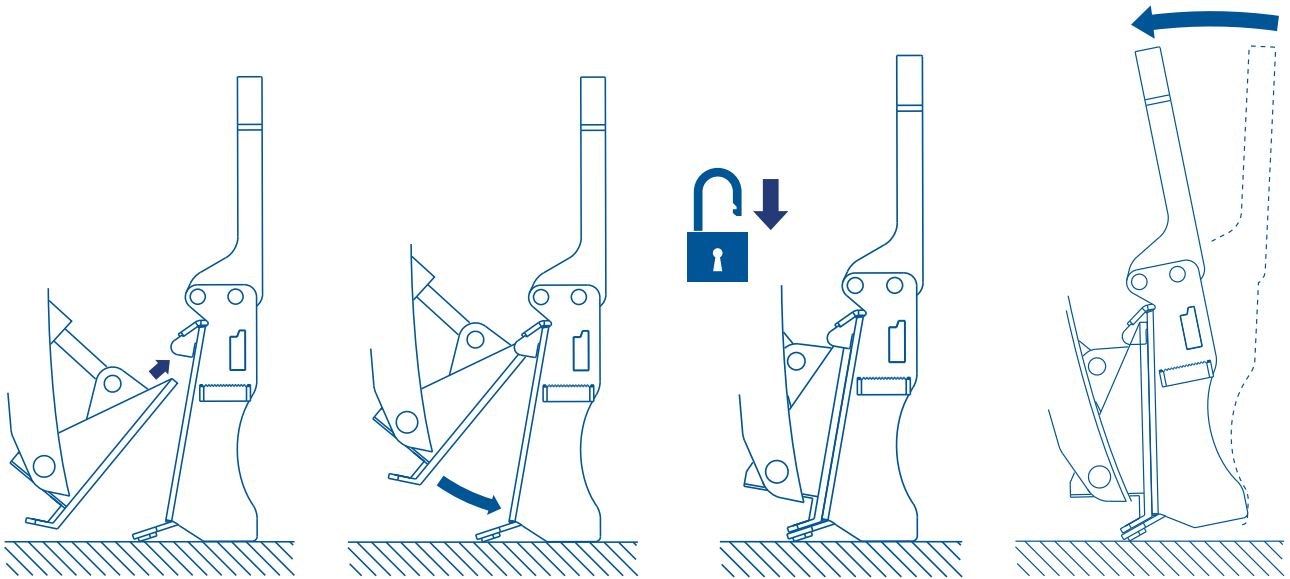


MOUNT AND DISMOUNT THE PALLET FORKS

Mount the Frame



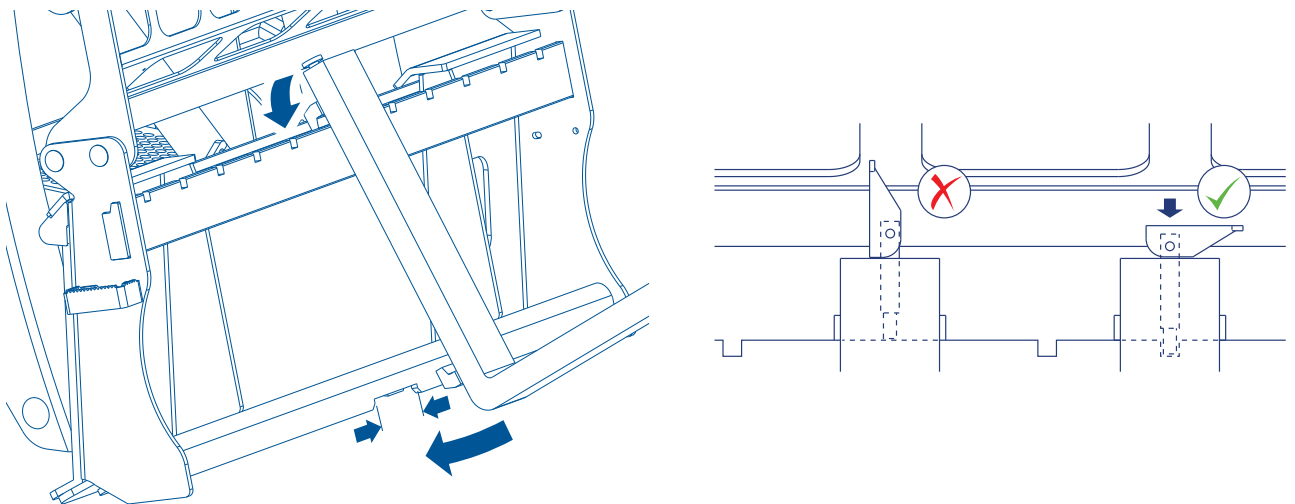
WARNING: Always position attachments on a solid and level ground when mounting and dismounting the attachments from the quick hitch assembly.



Attach the Fork Tines



CAUTION: Avoid injury! Make sure that the forks are mounted securely before operation or transport.



Always replace immediately any damaged hardware.

Detach the Forks

The forks can be detached following the reverse of the attaching procedure.

Adjusting the Fork Tines

Adjust the position of a fork tine by lifting the lever to the unlock position and sliding the fork tine to the desired location. Lower the lever to lock in place. Ensure the latch is set into a notch, securing the tine to the frame.

Repeat for the remaining fork tine, ensuring the same distance from the centre of the frame.

08-06-2021