



99-95400001 - ISSUE 6-2

ENGLISH

TRENCHER OPERATORS MANUAL



INDEX

FOREWORD	4
Enquiries	4
Operating Limits	4
The Machinery Directive (European Community only)	4
Declaration Of Conformity	4
REGISTRATION	6
INTRODUCTION	9
SAFETY NOTES	10
Protect Yourself	10
You May Need	10
Know Your Equipment	10
Danger, Warning And Caution	10
Protective And Safety Devices	11
Check The Equipment	11
Hazard Classification (Only applicable to ANSI Safety Labels)	11
Safety Precautions	12
IDENTIFICATION	13
Typical Setup	13
FITTING THE TRENCHER UNIT	14
Excavators - Double Pin Hitch	14
Excavators - Quick Hitch	15
Skid Steer Loaders	16
HYDRAULIC CONNECTIONS	17
RUNNING-IN	18
PREPARATION	19
TRENCH DEPTH SETTING	20
SKID SIDE PLATE ADJUSTMENT	21
WORKING PROCEDURE	22
TRANSPORTATION	24
Transportation On Public Highways	24
Transportation Within The Job Site	24
Recommended Travel Position	24



MAINTENANCE & LUBRICATION	25
Routine Maintenance	26
Daily Checks	26
Weekly Checks (in addition to daily checks)	26
Oil capacity	26
Oil Change Procedure	27
Chain Adjustment	28
Chain Removal/Replacement	29
Cutting Tooth Maintenance	30
Nose Roller Bearing Replacement	31
Sprocket Removal & Replacement - MT/MTDD Trencher	32
Sprocket Removal & Replacement - XHD Trencher	33
TROUBLESHOOTING	34
WARRANTY STATEMENT	36

FOREWORD

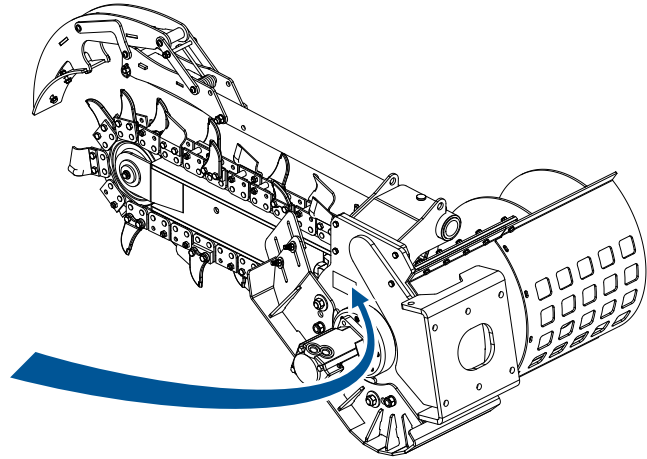
Enquiries

Please state the model type and serial number when making enquiries or orders and all written correspondence. The serial number is recorded on a plate located on the side of the Trencher.

Operating Limits

99-5057		AUGERTORQUE®	Distributed by:	
Model:	Serial No:	Weight:		
<input type="text"/>	<input type="text"/>	<input type="text"/>	Kg	
Flow Range:	From <input type="text"/>	To <input type="text"/>	Lpm	
Pressure Range:	From <input type="text"/>	To <input type="text"/>	Bar	
Max. Back Pressure:	<input type="text"/>	Bar	Date of Manufacture	<input type="text"/>

CE
UK
CA



This equipment must be operated within the parameters stated on the serial plate. Failure to do so may cause damage to the equipment and invalidate the warranty. If in doubt, contact your nearest Auger Torque dealer.

The Machinery Directive (European Community only)

The Machinery Directive 2006/42/EC (formerly 98/37/EEC) provides the harmonisation of the essential health and safety requirements for machinery, through a combination of mandatory health and safety requirements and voluntary harmonised standards. Such directives apply only to products that are intended to be placed on or put into service in the market for the first time. The manufacturer or the authorised representative must draw up a 'Declaration of Conformity'.

Declaration Of Conformity

Where Trenchers are supplied in conjunction with Auger Torque Europe Ltd manufactured mounting frames to form a Trencher Assembly, Auger Torque Europe Ltd have control over the suitability of the parts supplied. To show this and meet with the lawful requirements of the Machinery Directive a Declaration of Conformity is issued and a CE mark is applied to the assembly.

(copy example follows)



Manufactured by Auger Torque Europe Limited

EU Declaration of Conformity

The responsible person:

Name	
Position	
Company Name	<i>Auger Torque Europe Ltd</i>
Address	<i>Hazelton, Cheltenham, GL54 4DX, England</i>
Telephone	<i>++44 (0) 1451 861652</i>
Fax	<i>++44 (0) 1451 861660</i>

Declares that the product described:

Manufacturer	<i>Auger Torque Europe Ltd.</i>
Model	
Serial Number	

Conforms to the Machinery Directive 2006/42/EC.

It also complies with the essential health and safety requirements, national standards and the transposed harmonised standards appropriate for this product.

Signed by:
(The responsible person)

Dated

REGISTRATION

Complete this form and keep it with the manual



Auger Torque Europe Ltd
Hazleton
Cheltenham
GL54 4DX
England
Tel:+44(0)1451 861652
Fax:+44(0)1451 861660
Email: sales@augertorque.com

Auger Torque Australia Pty Ltd
122 Boundary Rd
Rocklea
Queensland 4106
Australia
Tel:+61(0)7 3274 2077
Fax:+61(0)7 3274 5077
Email: sales@augertorque.com.au

Auger Torque USA LLC
2640 Jason Industrial Parkway
Winston, GA 30187
USA
Tel: (+1) 844 287 6300
Fax: (+1) 770 947 9916
Email: sales@augertorqueusa.com

MODEL NUMBER:

SERIAL NUMBER:

DATE OF MANUFACTURE:

SUPPLIER / DEALER:

DATE SOLD TO SUPPLIER / DEALER:

DATE SOLD TO ORIGINAL END USER:

OWNER OR OPERATOR:

PARENT MACHINE MAKE & MODEL:

Note; Always quote the serial number in any communication with your supplier / dealer

REGISTRATION

For warranty purposes this form **MUST** be completed and returned to Auger Torque within 14 days of purchase by the end user.



Auger Torque Europe Ltd
Hazleton
Cheltenham
GL54 4DX
England
Tel:+44(0)1451 861652
Fax:+44(0)1451 861660
Email: sales@augertorque.com

Auger Torque Australia Pty Ltd
122 Boundary Rd
Rocklea
Queensland 4106
Australia
Tel:+61(0)7 3274 2077
Fax:+61(0)7 3274 5077
Email: sales@augertorque.com.au

Auger Torque USA LLC
2640 Jason Industrial Parkway
Winston, GA 30187
USA
Tel: (+1) 844 287 6300
Fax: (+1) 770 947 9916
Email: sales@augertorqueusa.com

MODEL NUMBER:

SERIAL NUMBER:

DATE OF MANUFACTURE:

SUPPLIER / DEALER:

DATE SOLD TO SUPPLIER / DEALER:

DATE SOLD TO ORIGINAL END USER:

OWNER OR OPERATOR:

PARENT MACHINE MAKE & MODEL:

Note; Always quote the serial number in any communication with your supplier / dealer

For warranty purposes the form on the reverse of this page should be completed and returned to the appropriate address.

Auger Torque Europe Ltd
Hazleton
Cheltenham
GL54 4DX
England
Tel:+44(0)1451 861652
Fax:+44(0)1451 861660
Email: sales@augertorque.com

Auger Torque Australia Pty Ltd
122 Boundary Rd
Rocklea
Queensland 4106
Australia
Tel:+61(0)7 3274 2077
Fax:+61(0)7 3274 5077
Email: sales@augertorque.com.au

Auger Torque USA LLC
2640 Jason Industrial Parkway
Winston, GA 30187
USA
Tel: (+1) 844 287 6300
Fax: (+1) 770 947 9916
Email: sales@augertorqueusa.com

INTRODUCTION

Auger Torque thank you for purchasing your new product. This operating manual has been prepared to enable you to operate the equipment in a safe manner.

Auger Torque Trenchers have been designed for use with specific parent machines along with the Auger Torque range of mounting frames. Provided these are used and maintained correctly, they will provide a safe and reliable method of trenching in the earth.

For information on lubrication and maintenance intervals, see page 26

Before operating the drive unit, please note:

Your drive unit comes complete, filled with the correct amount of oil. There is no need to check the oil level.

Hydraulic hoses must be fitted and tightened to the correct torque (see page 17).

The unit must be run in following the recommended procedure (see page 18).

NOTE:

This operating manual should be used in conjunction with the parent machine's operating instructions.

Instruction books should be regarded as part of the machine. They should always be kept safe with the machine for easy and quick reference.

New or extra copies can be obtained from your Auger Torque dealer or direct from Auger Torque.

Auger Torque Europe Limited continually strives to improve and increase its range of products and therefore reserves the right to alter its specifications at any time without notice or obligation. The company accepts no responsibility for discrepancies, which occur between specifications of its machines and descriptions thereof contained in its publications.

SAFETY NOTES

Protect Yourself

Make sure you wear protective clothing and personal safety items.

You May Need

- A Hard Hat
- Safety Goggles
- Hearing Protection
- Foul Weather Clothing
- Reflective Clothing
- Protective Gloves
- Safety Boots

DO NOT wear items of loose clothing, jewellery or other items and tie up any long hair which could entangle in the controls or other parts of the machine.

Know Your Equipment

Get to know all you how to operate all controls on the machine and the attachments

IF THERE IS SOMETHING IN THE MANUAL WHICH YOU DO NOT UNDERSTAND, CONTACT THE MACHINE AGENT OR MANUFACTURER AND ASK THEM TO EXPLAIN IT TO YOU.

Danger, Warning And Caution

This symbol below has 3 important meanings when used with the following captions.



DANGER: An IMMEDIATELY HAZARDOUS situation that WILL result in DEATH or VERY SERIOUS INJURY



WARNING: A POTENTIALLY HAZARDOUS situation that COULD result in DEATH or VERY SERIOUS INJURY



CAUTION: A POTENTIALLY HAZARDOUS situation that MAY result in MINOR INJURY

Protective And Safety Devices

Keep all protective devices in place and securely fastened. Make sure all guards, shields and safety signs are properly installed and are in good condition.

Check The Equipment

Before you operate the equipment, take time to check your machine and ensure that all systems are in good operational order.

- Never operate the equipment with worn, damaged or missing parts. Use only genuine replacement parts.
- Always ensure that the parent machine is secure and stable with its engine switched off and hydraulic pipes disconnected before carrying out any maintenance work.
- Check for loose, broken, missing or damaged parts. Have everything put into good repair and make sure all safety devices are in place.
- Perform all maintenance procedures outlined for the equipment.
- Always protect hands. Select appropriate gloves when handling the equipment during fitting, removing or adjusting
- Always protect feet with safety boots.



WARNING: Hydraulic fluid under pressure can penetrate the skin or eyes and cause serious PERSONAL INJURY, BLINDNESS OR DEATH. Fluid leaks under pressure may not be visible. Use a piece of wood or thick cardboard to find leaks. DO NOT USE YOUR BARE HANDS. Wear safety goggles for eye protection. If any fluid is injected into the skin, it MUST be surgically removed. SEE A DOCTOR IMMEDIATELY

Make sure all hydraulic lines are correctly installed

Before applying pressure to the hydraulic system be sure all connections are tight and that lines, pipes and hoses are not damaged. Before disconnecting hydraulic lines, be sure to relieve all pressure.

Hazard Classification (Only applicable to ANSI Safety Labels)



DANGER: IMMEDIATE HAZARD! - Failure to understand or obey this information is likely to result in personal injury or death.



WARNING: Failure to follow these instructions may result in personal injury or death.



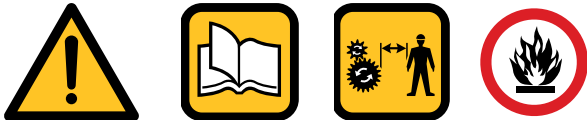
CAUTION: Failure to follow these instructions may result in minor personal injury or damage to the machine or the vehicle.



NOTICE: This is important information for the proper use of this equipment. Failure to comply may lead to premature equipment failure.

CLEAN OR REPLACE THE SAFETY LABELS IF THEY CANNOT BE CLEARLY READ OR UNDERSTOOD

Safety Precautions



NEVER operate or assemble the equipment without **fully** understanding the operating instructions of both the equipment unit and the parent machine.

Auger Torque recommend you receive dealer instruction before operating the unit.

NEVER operate the equipment unless you are in good physical condition and mental health.

NEVER operate the equipment under the influence of any substance (including drugs & alcohol) which might impair vision.

NEVER operate the equipment with worn, damaged or missing parts. Use only genuine replacement parts.

NEVER proceed with works before completing a site risks assessment immediately before commencing work. Nominating the safe work exclusion zone radius for persons and animals as part of identifying risks and implementing controls.

NEVER allow minors to operate the equipment.



ALWAYS survey the work area before commencing operations. Check for potential hazards, eg. Electricity or communication cables etc.

ALWAYS ensure that the parent machine is secure and stable with it's engine switched off before carrying out any maintenance work.

ALWAYS ensure the hydraulic oil supply to the attachment is disconnected by uncoupling the hydraulic hose connectors before fitting, removing or adjusting the equipment

ALWAYS wear head protection and eye protection when working on the unit.

ALWAYS protect hands. Select appropriate when handling the equipment during fitting, removing or adjusting the unit.

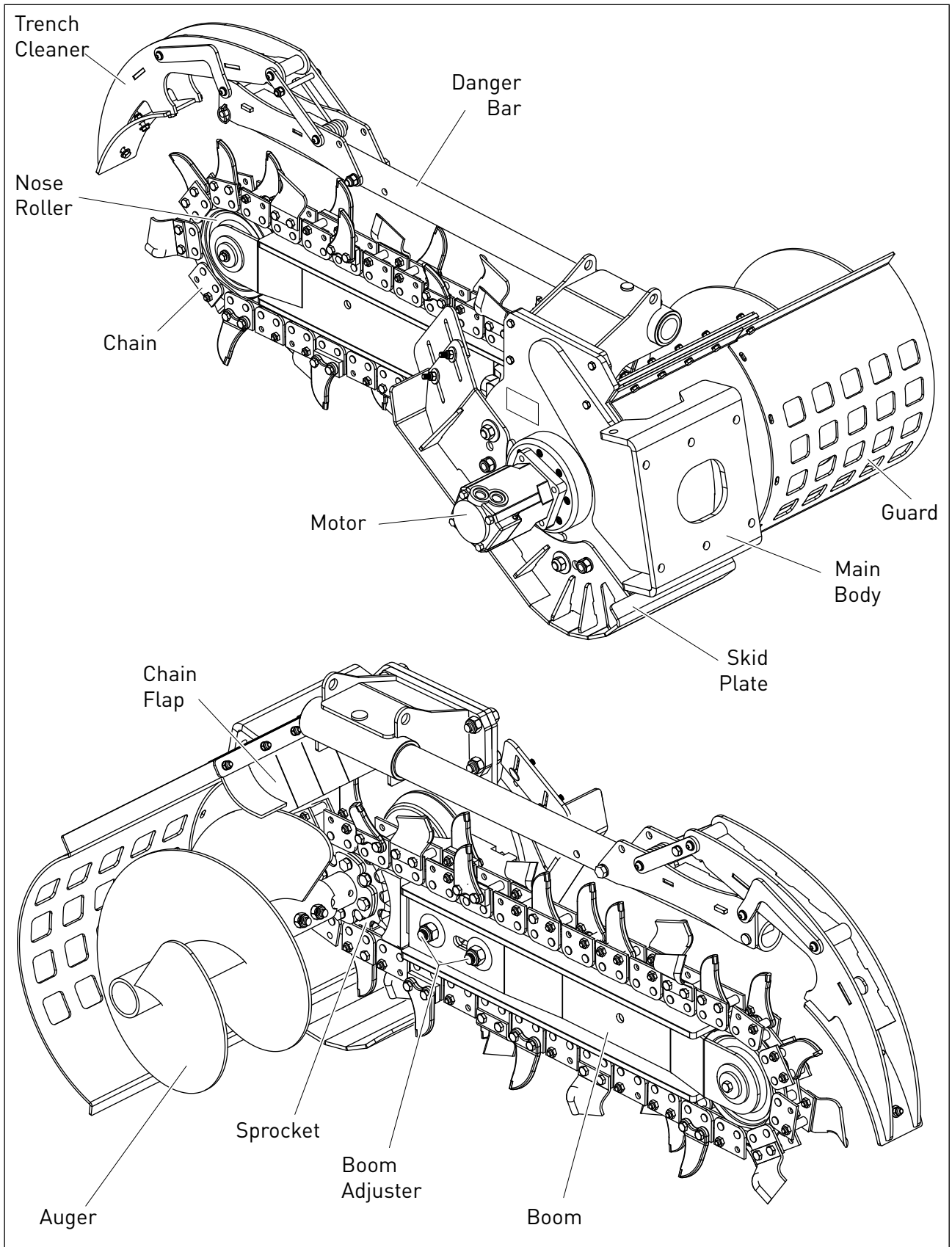
ALWAYS protect feet. Wear approved safety boots.

ALWAYS follow the parent machine instructions regarding noise protection.

STAY ALERT. Should something break, come loose or fail to operate on your equipment, STOP WORK, lower equipment to the ground, shut off the engine and lock out hydraulic supply, inspect the machine and have repairs or adjustments made before resuming operation.

IDENTIFICATION

Typical Setup



FITTING THE TRENCHER UNIT

Excavators - Double Pin Hitch

SAFETY FIRST



Always work in pairs (2 skilled operatives) whenever Trencher Unit components are being assembled or disassembled from the parent machine. Always check the weight of the attachment and ensure you have the correct equipment for handling it.



ALWAYS check parent machine:

- Is in correct working order
- Is parked correctly on flat ground
- Has its hand brake **ON**, its hydraulic circuit locked out and its engine switched **OFF**.

Check that the mounting frame is of the correct model and type to fit the parent machine. Ensure mounting frame and attachment points are clean before fitting. Use suitably rated lifting equipment if required (see data plate for weight).



FITTING Ensure all components are greased on assembly:

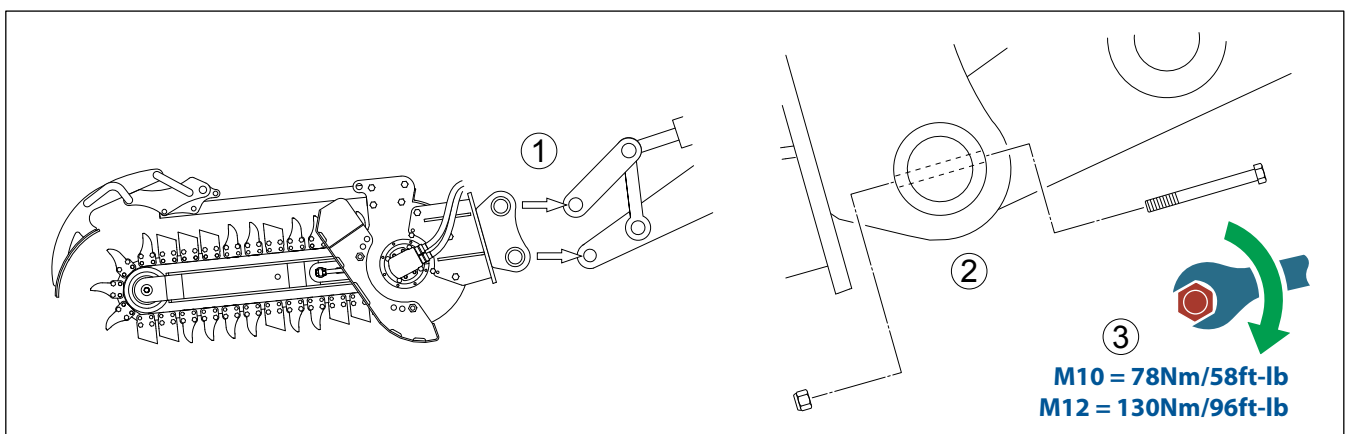
Refer to the parent machines operators manual for attaching accessories

- 1). Fit mounting frame to parent machine arms with the correct pins.
- 2). Align bolt location holes and fit location bolts and nyloc nuts.
- 3). Tighten all Nylon Insert nuts to 23 Nm / 17 ft-lb.

Locate the flow and return hydraulic pipes onto the Trencher Unit (see page 17).

Connect quick release couplers.

Check that the hydraulic pipes are of sufficient length to allow the trencher to articulate during work.



Excavators - Quick Hitch

SAFETY FIRST



Always work in pairs (2 skilled operatives) whenever Trencher Unit components are being assembled or disassembled from the parent machine. Always check the weight of the attachment and ensure you have the correct equipment for handling it.



ALWAYS check parent machine:

- Is in correct working order
- Is parked correctly on flat ground
- Has its hand brake **ON**, its hydraulic circuit locked out and its engine switched **OFF**.

Check that the mounting frame is of the correct model and type to fit the parent machine. Ensure mounting frame and attachment points are clean before fitting. Use suitably rated lifting equipment if required (see data plate for weight).



FITTING Ensure all components are greased on assembly:

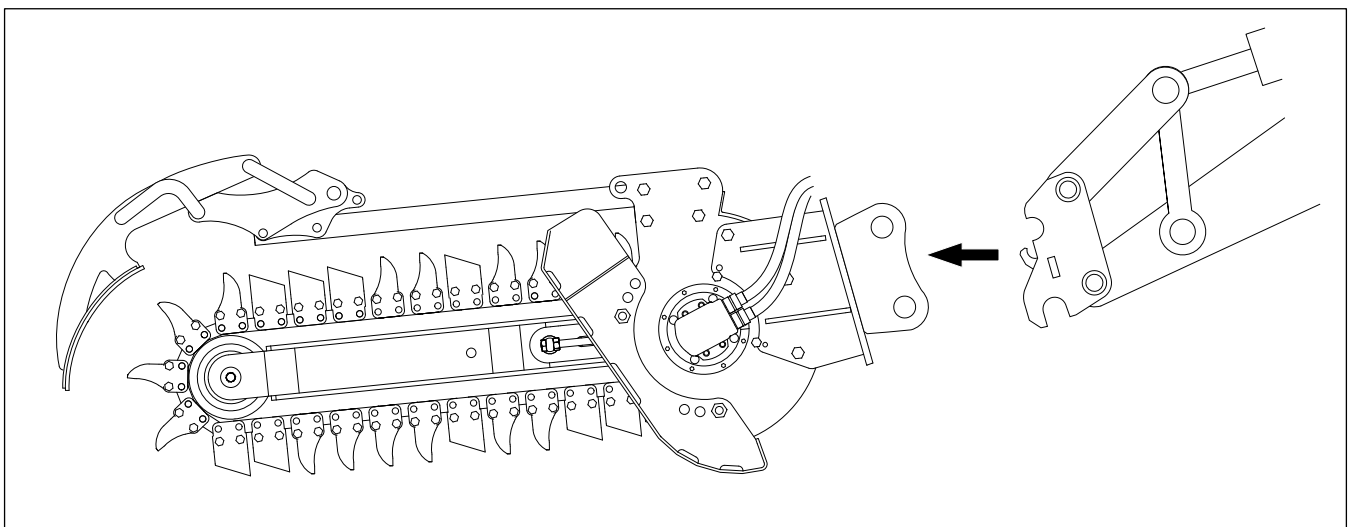
Refer to the parent machines operators manual for attaching accessories

Fit the mounting frame to the quick hitch coupling and ensure that it is securely locked in position.

Locate the flow and return hydraulic pipes onto the Trencher Unit (see page 17).

Connect quick release couplers.

Check that hydraulic pipes are of sufficient length to allow the Trencher to articulate during work.



Skid Steer Loaders

SAFETY FIRST

SAFETY FIRST



Always work in pairs (2 skilled operatives) whenever Trencher Unit components are being assembled or disassembled from the parent machine. Always check the weight of the attachment and ensure you have the correct equipment for handling it.



ALWAYS check parent machine:

- Is in correct working order
- Is parked correctly on flat ground
- Has its hand brake **ON**, its hydraulic circuit locked out and its engine switched **OFF**.

Check that the mounting frame is of the correct model and type to fit the parent machine. Ensure mounting frame and attachment points are clean before fitting. Use suitably rated lifting equipment if required (see data plate for weight).



FITTING Ensure all components are greased on assembly:

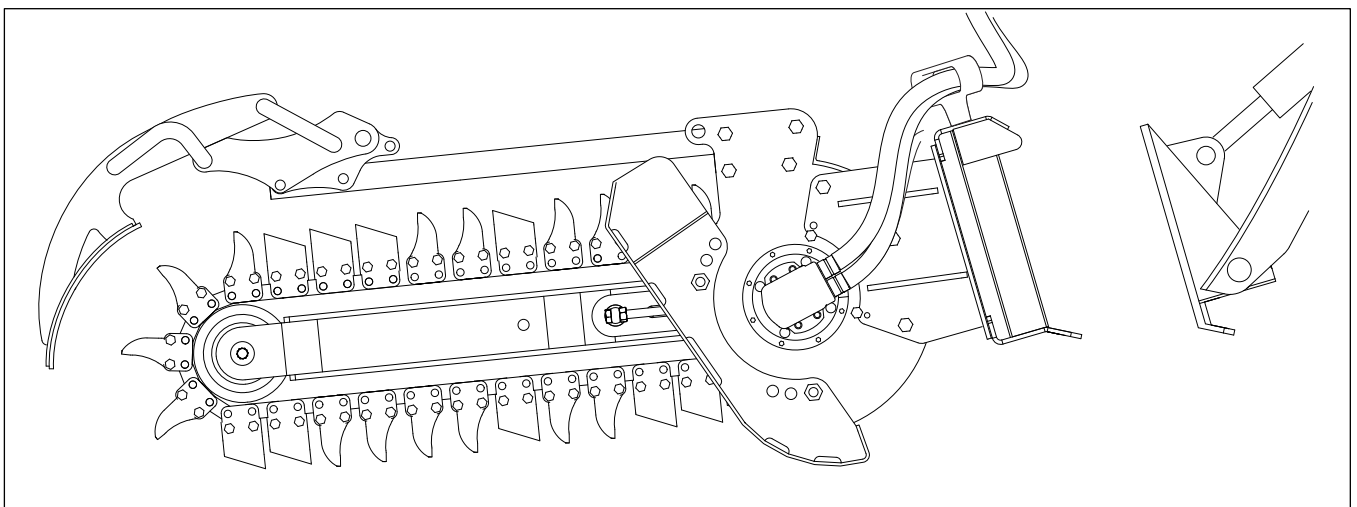
Refer to the parent machines operators manual for attaching accessories

- 1). Fit mounting frame to parent machine arms.
- 2). Ensure that the unit is securely locked in place using the levers.

Locate the flow and return hydraulic pipes onto the Trencher Unit (see page 17)

Connect quick release couplers.

Check that hydraulic pipes are of sufficient length to allow the Trencher to articulate during work.



HYDRAULIC CONNECTIONS

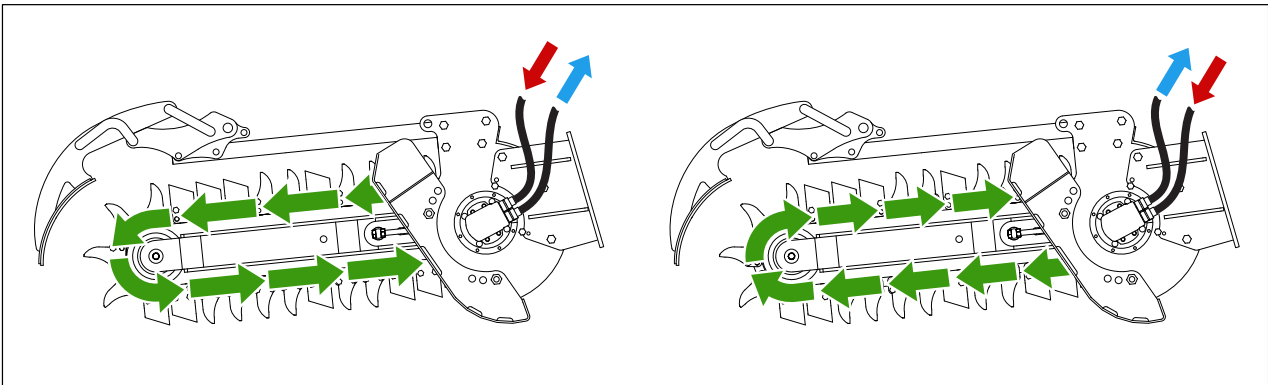


WARNING:

Hydraulic fluid under pressure can penetrate the skin or eyes and cause serious personal injury, blindness or death. Fluid leaks under pressure may not be visible. Use a piece of card or wood to find leaks. **DO NOT** use your bare hands. Wear safety goggles to protect your eyes. If any fluid is injected into the skin, it **MUST** be surgically removed. Seek immediate medical attention.

Auger Torque Trencher Units have been designed for use with specific Auger Torque mounting frames and Trencher wear parts. Provided these are used and maintained correctly, they will provide a safe and reliable method of trenching in the earth.

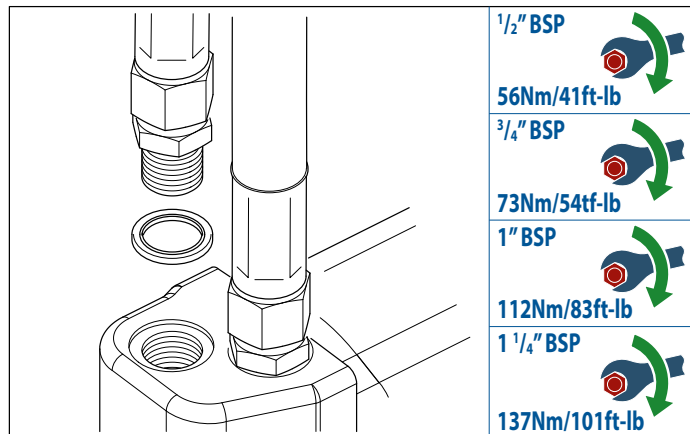
All Auger Torque Trenching Units require a 'flow' and 'return' of hydraulic fluid from the parent machine's auxiliary hydraulic power supply to operate. All Trenchers are reversible and require the host machine to be fitted with a two way flow auxiliary circuit. Check with the parent machine dealer for advice.



When fitting hydraulic hoses, ensure that they are tightened to the correct torque for the hose fittings.

Some models of Trencher are supplied with hydraulic hoses, but less hydraulic quick release couplers, which are required for connection to parent machine.

These should be sourced locally and be compatible with the auxiliary hydraulic quick release couplers on the parent machine.



The parent machine auxiliary hydraulic connections are normally located near the end of the loader arms or excavator dipper.

It is critical that the supply of oil is within the stated limits for the particular Trenching Unit;

Check that the rated flow (l/min - gal/min) & pressure (Bar - PSI) of your machine does not exceed the limits shown on the serial plate.

RUNNING-IN

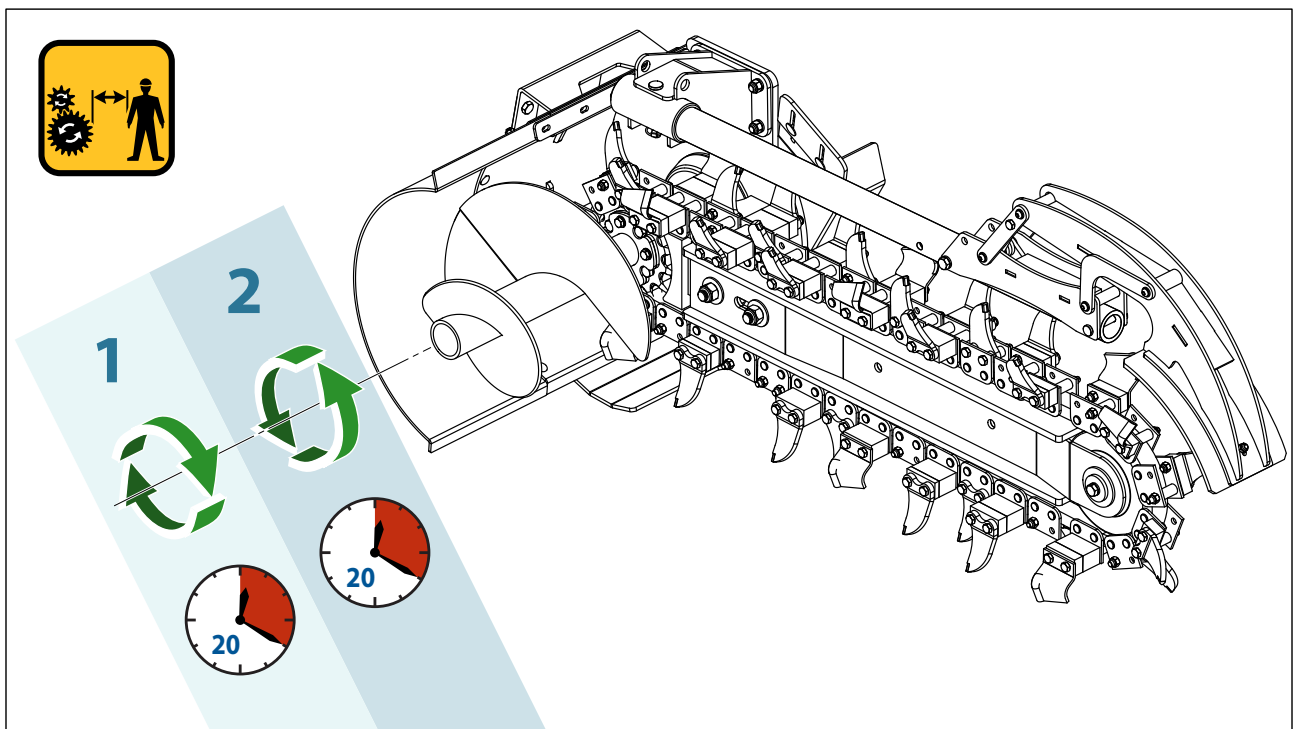
To maximise the life of the motor, it must be run in for a period.

To carry out the running in procedure, suspend the trencher unit clear of the ground, with the boom horizontal.

For the duration of the running in procedure, ensure there are no bystanders within the nominated radius as defined in the risk assessment completed prior to commencing any works.

Operate the motor at 30% of rated pressure for 20 minutes in each direction before application of full operating load.

To further ensure best motor life and maintain warranty, refer to page 25 for lubrication instructions.



PREPARATION



CONSIDER the topography (e.g. risk of subsidence, slope angle, position to embankments and any previous excavation).



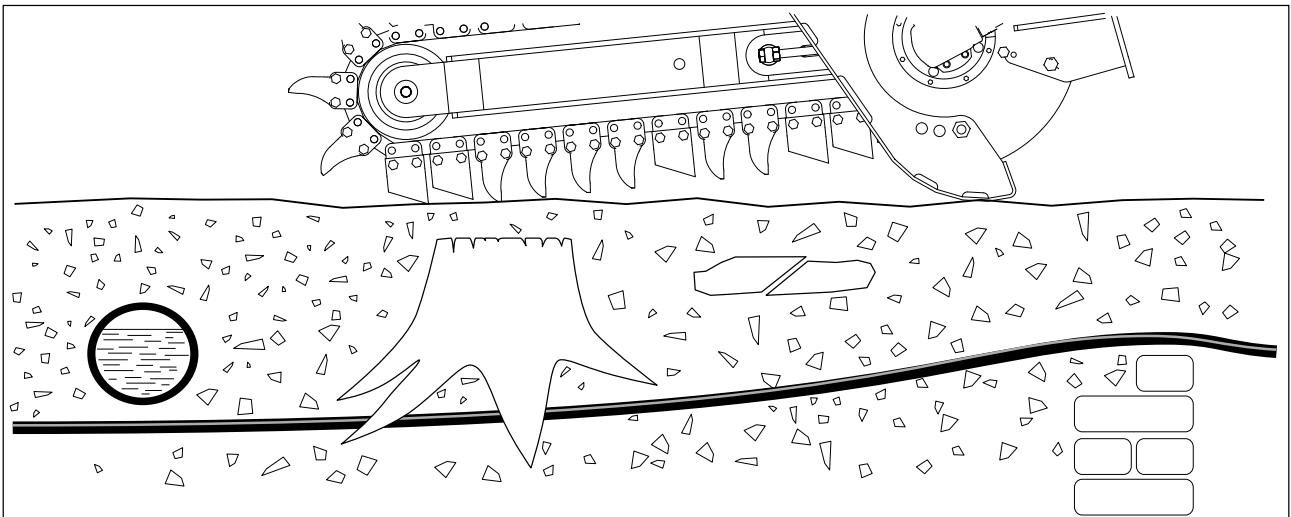
NOTE the type of soil and its condition to enable selection of suitable teeth and pilot

ALWAYS carry out a site survey and risk assessment **BEFORE** starting work



AVOID underground hazards, such as water / gas / electricity / communication lines etc.

If in doubt detection equipment and professional advice should always be considered before carrying out any work.



TRENCH DEPTH SETTING

The trenching depth is controlled by the skid plate, which runs with its flat surface on the ground. By changing the angle of the skid plate, the trencher can operate at one of three depth settings.

The skid plate is secured by 2 nuts to studs on the main body as indicated by the arrows. 3 pairs of mounting holes in the skid plate allow the trenching depth to be set as shown in the diagrams below.

Once the trench depth is set, torque the nuts to 138Nm/102ft-lb.

Depth Setting Chart (Dimensions in mm/in.)		MT/MT _{DD} TRENCHER			XHD TRENCHER		
		600	900	1200	900	1200	1500
		300	600	800	600	800	1000
		12	24	32	24	32	40
		450	750	1000	750	1000	1250
		18	30	40	30	40	50
		600	900	1200	900	1200	1500
		24	36	48	36	48	60



138Nm/102ft-lb

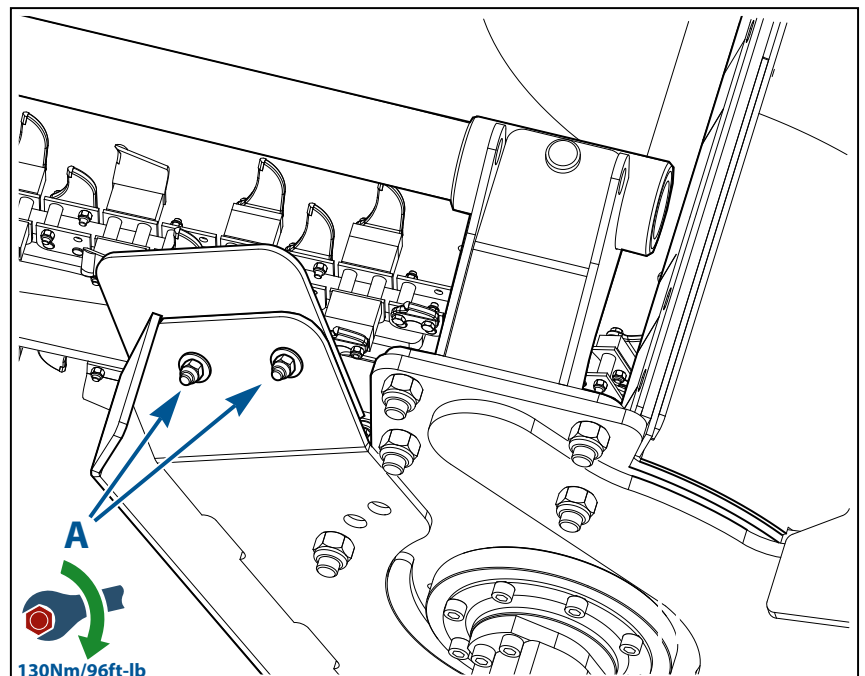
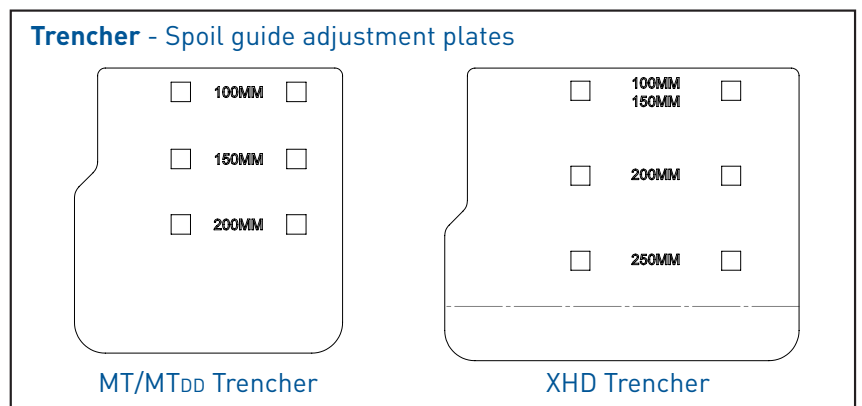
SKID SIDE PLATE ADJUSTMENT

To ensure that the left hand side of the trench is free from spoil, the skid is fitted with a side plate to deflect spoil back on to the chain. This ensures that the maximum amount of spoil is removed on the right-hand side by the auger.

Trenchers have an adjustable side plate. This must be adjusted to suit chain width to provide the optimum spoil removal without causing damage to the chain.

Loosen the nuts (A) and adjust the side plate to the correct hole position to for chain fitted to achieve the right clearance between the plate and the widest teeth.

Tighten the nuts.



WORKING PROCEDURE

Before commencing work, ensure that ;

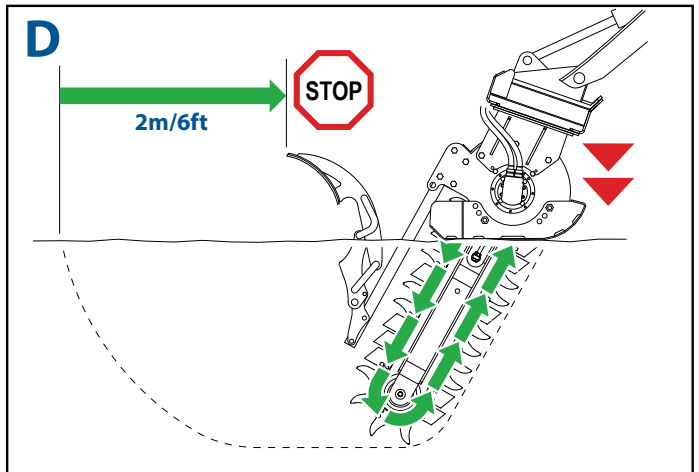
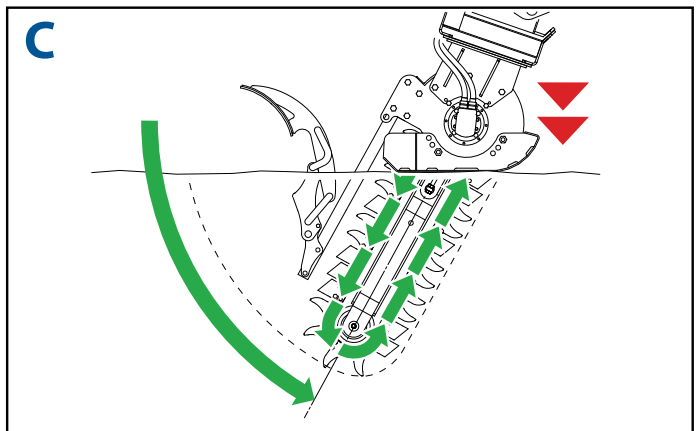
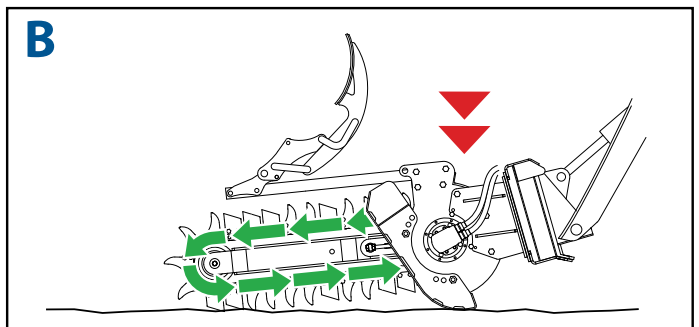
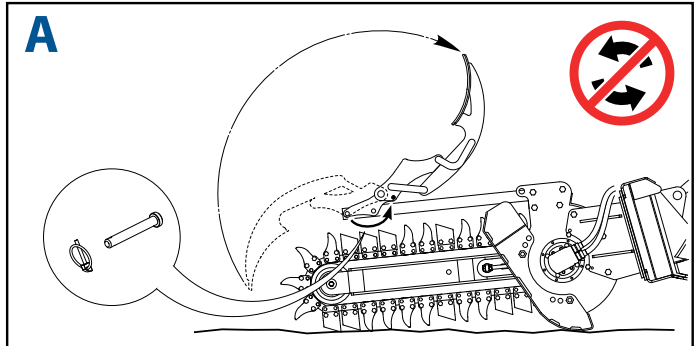


The correct hoses are fitted and tightened correctly (See page 24). The unit has been properly run in (See page 30).

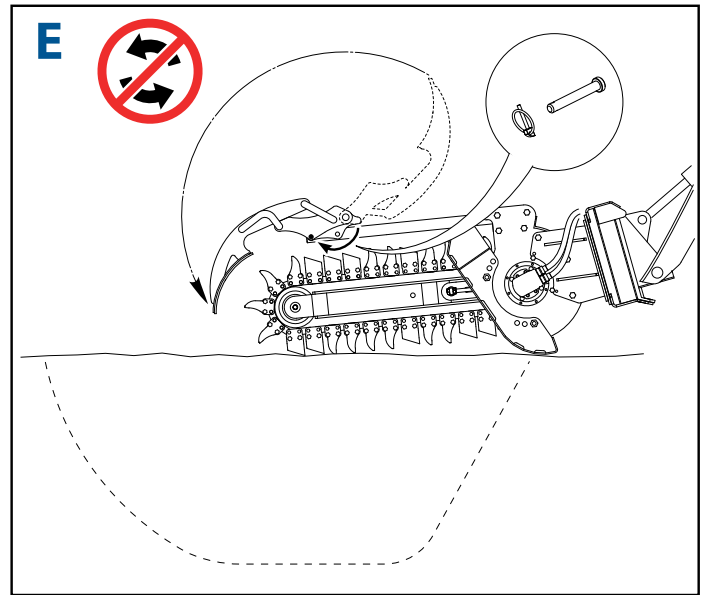


There are no bystanders within the nominated radius as defined in the risk assessment completed prior to commencing any works.

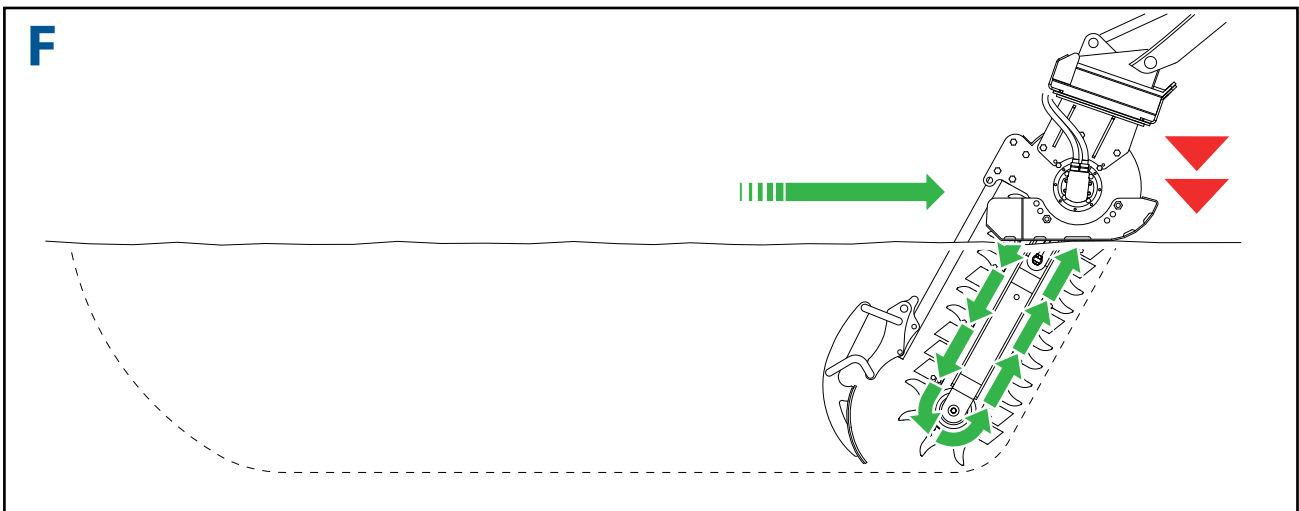
- A** Switch off parent machine and ensure the hydraulic system is locked out. Set the Trench Cleaner in it's OPEN position and secure it with linch pin.
- B** Start the parent machine, engage the hydraulic system and ensure that the chain is moving in the correct direction. Set the trencher with the rear of the skid firmly on the ground.
- C** With trencher chain operating and weight applied to the skid plate, GRADUALLY rotate the trencher on so that it penetrates the ground. Always keep the weight on the skid plate while cutting.
- D** When the flat face of the skid plate is firmly in contact with the ground, STEADILY reverse the parent machine. Avoid stalling the chain. After at least 2 metres/6 foot of trenching, STOP the parent machine.



- E** Raise the trencher above ground level Fig E.
Switch off parent machine and ensure the hydraulic system is locked out.
Set the Trench Cleaner in it's CLOSED position and secure it with linch pin.



- F** Start the parent machine, engage the hydraulic system and lower the trencher into the trench until the flat face of the skid plate is firmly on the ground with weight applied and continue trenching Fig F



TRANSPORTATION

Transportation On Public Highways



ALWAYS remove the Trencher Unit before driving or transporting the parent machine on public highways.

ALWAYS store the Trencher Unit securely and safely when removed from the parent machine taking special care of the hydraulic hoses and connections.

Transportation Within The Job Site



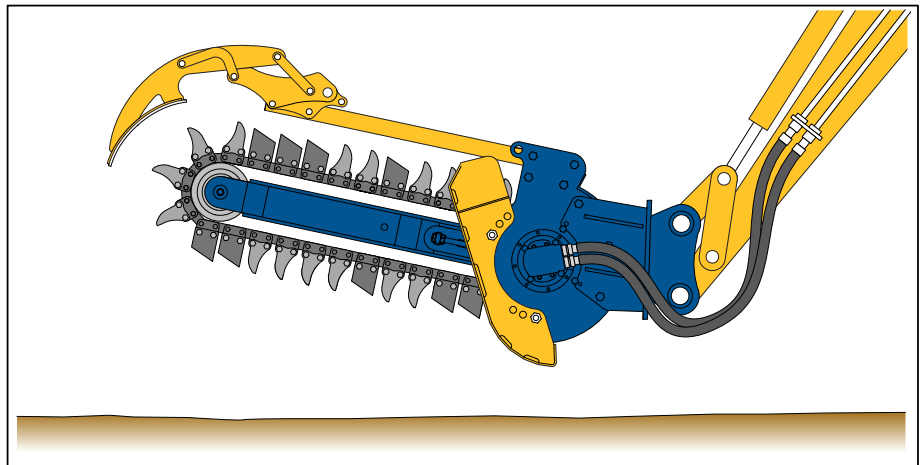
ALWAYS disengage the rotation of the Trencher chain, whenever operating the parent machine, whilst the Trencher Unit is not trenching.

ALWAYS operate the parent machine slowly when on site, keeping the Trencher Unit as close to the parent machine and as low as possible.

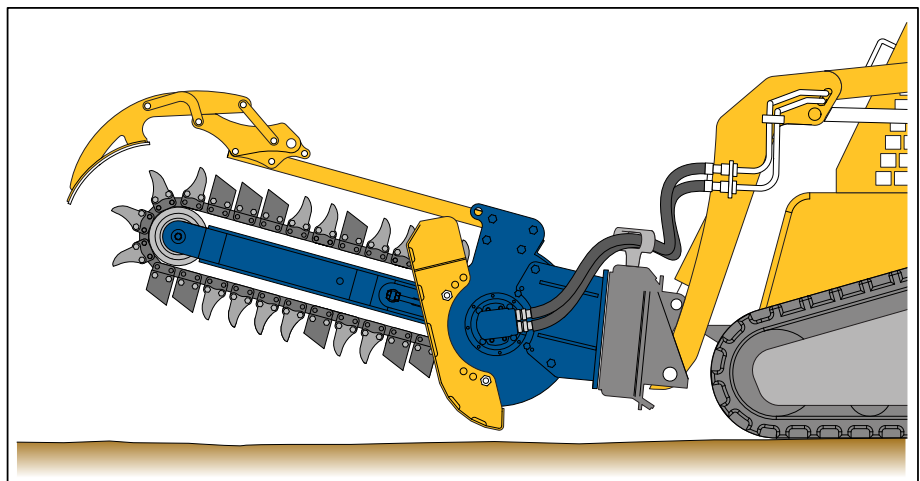
The best travelling positions for Excavator and Skid Steer loader are shown below.

Recommended Travel Position

Excavator



Skid Steer Loader



MAINTENANCE & LUBRICATION

SAFETY



Safety at all times



Ensure environmentally safe disposal of waste oil:

Do not pour down drain!



Avoid Fire or Explosion:

Do not smoke near, or expose lubricants to, any possible sources of ignition (e.g. fire, electrical sparks or heat sources.)



All lubricants are toxic and potentially carcinogenic (cancer causing).



Avoid contact with skin and eyes:

Wear suitable protective clothing and gloves.



Always use a suitable barrier cream in case of skin contact.



Always wear eye protection:

In the event of skin contact wash with soap and water.

In the event of eye contact wash with water and seek medical advice.



Do not ingest:

If swallowed seek medical advice immediately.

Routine Maintenance:

After your first 50 metres/160 foot of trenching, raise the Trencher unit and check the chain tension.

Refer to page 28 for chain adjustment instructions. Chain tension should be checked after every 500 metres/550 yards of trenching.

Your Auger Torque Trencher Unit features a sealed gear housing filled with gear oil to lubricate the planetary gear set components and bearings within the housing.

Auger Torque Trencher Units are low maintenance, however regular checks for oil leaks and following the service schedules are recommended to ensure a trouble free product.

Daily checks:

Check Chain adjustment (see page 28).

Check Tooth wear.

Check Condition of nose roller assembly.

Check for oil leaks.

Weekly checks (in addition to daily checks):

Check overall condition of the Trencher unit and Mounting frame.

Check drive sprocket for wear (see page 32 & 33 for correct replacement details).

Check hydraulic hoses for any damage.

After first 100 hours of operation or six (6) months:

To maximise life and maintain warranty the Trencher Unit gear oil requires draining and replacing with Mobil Gear 600XP (or equivalent) after the first 100 hours of operation or six (6) months from date of purchase – whichever occurs first (see page 27 for oil change details). (Note this first service is LABOUR FREE provided your Auger Torque dealer carries it out).

Important: To maintain product warranty your Auger Torque dealer must record proof of this first oil change.

Yearly or after every 500 hours of use (whichever is sooner):

The Trencher Unit gear oil requires draining and replacing with Mobil Gear 600XP (or equivalent) every twelve (12) months or 500 hours – whichever occurs first.

Oil capacity

Refer to page 27 for the correct volume of oil for your trencher.
If in doubt contact Auger Torque Europe Ltd. or your nearest dealer.

Oil Change Procedure



Before starting any maintenance work on this unit read the instructions carefully and ensure you have the correct tools, materials and safety equipment to hand.



Pre-heat the oil by running the unit for 15 minutes.

Ensure that the unit is securely supported so that you have safe access to the underside of the drive unit.

Locate the fill plug in the top of the output housing and the drain plug in the bottom of the housing (Fig. A).

To ensure that the unit drains completely, make sure that the boom is horizontal (Fig. B).

Place a tray beneath the unit to catch the oil. Remove the fill plug, then the drain plug (Fig. C).

Allow the oil to drain for 10 minutes (Fig. D).

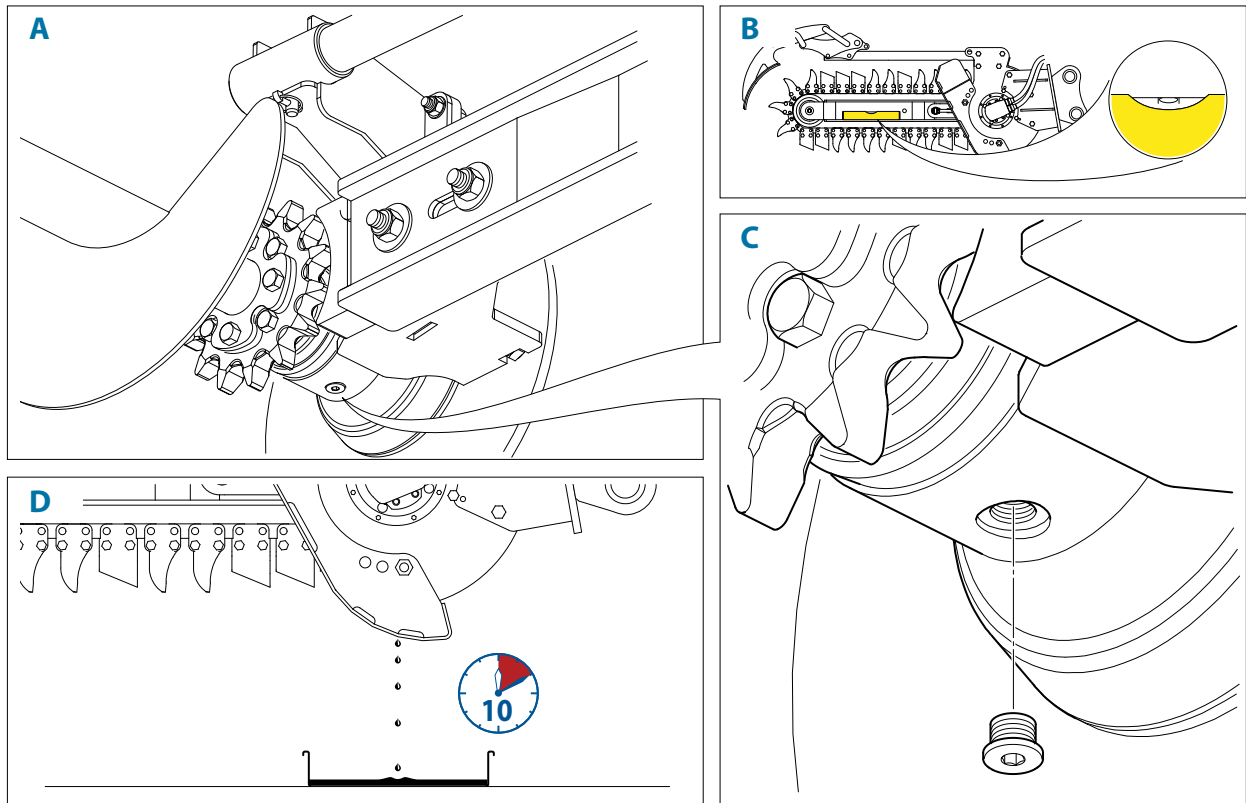
Replace the drain plug and add the correct quantity of Mobil Gear 600XP ISO320 gear oil;

MT: 0.8 litres/1.7 US pints

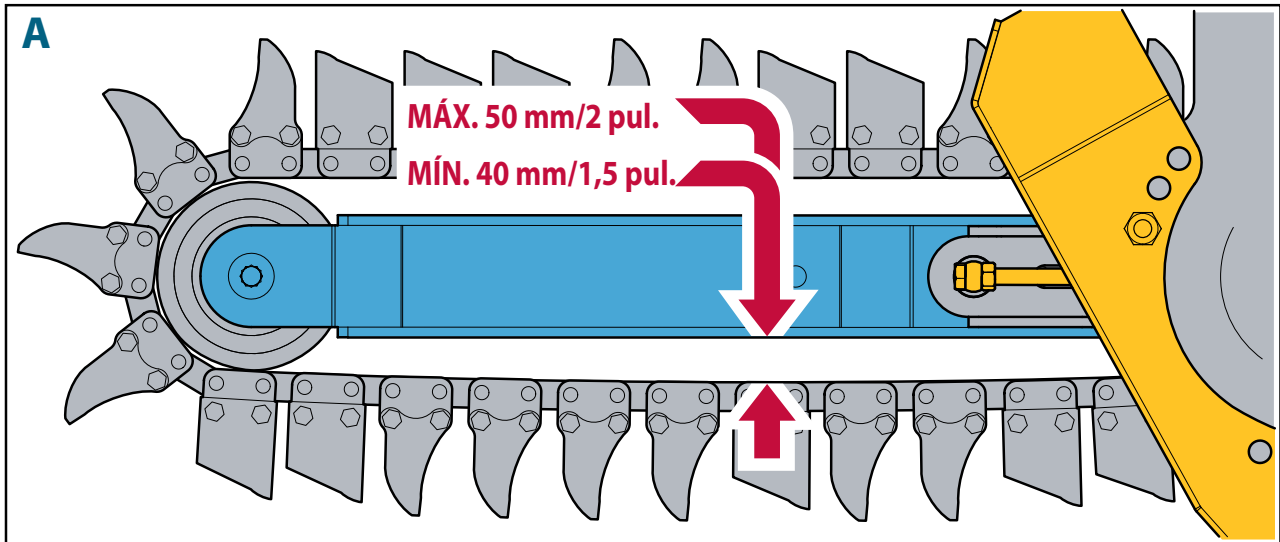
DDT: 0.4 litres/0.8 US pints

XHD: 0.8 litres/1.7 US pints

Replace the fill plug and ensure both plugs are tightened securely.



Chain Adjustment

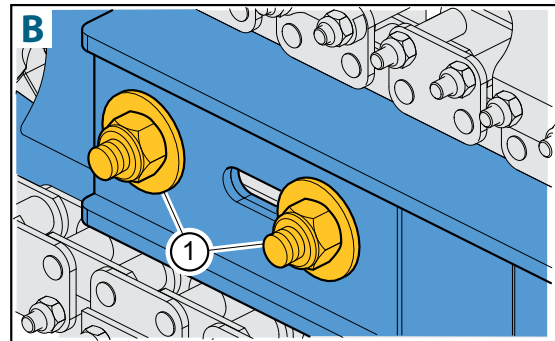


Check the chain tension by measuring the clearance between the chain and the boom as shown in Fig A.

Step 1

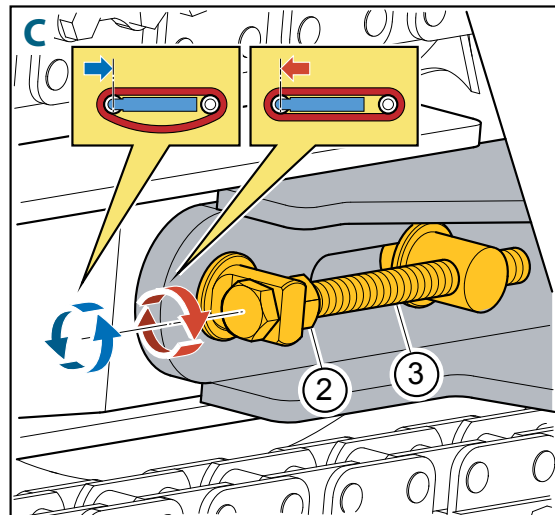
The correct clearance should be between a minimum of 40mm/1.5in and a maximum of 50mm/2in.

If adjustment is necessary, loosen the two nuts (1) on the auger side of the boom Fig B.



Step 2

Loosen the tensioner locknut (2) Fig C and adjust the tension by turning the screw (3) as shown in the diagram.



Step 3

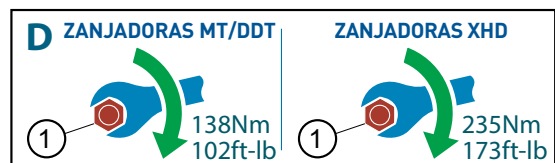
Check the chain tension as shown in Fig A and re-adjust as necessary until the correct clearance is achieved.

Step 4

Tighten the locknut (2) Fig C.

Step 5

Tighten the two nuts (1) Fig B using the torque values in Fig D.



CHECK THAT ALL NUTS ARE RE-TIGHTENED BEFORE OPERATING THE TRENCHER

Chain Removal/Replacement



The chain ends are joined with a pin, which is secured with a split cotter pin.

Ensure that the chain is slackened off completely, following the 'Chain Adjustment' instructions on page 28.

Locate the joining pin and rotate the chain so that you have easy access to both ends of the pin.

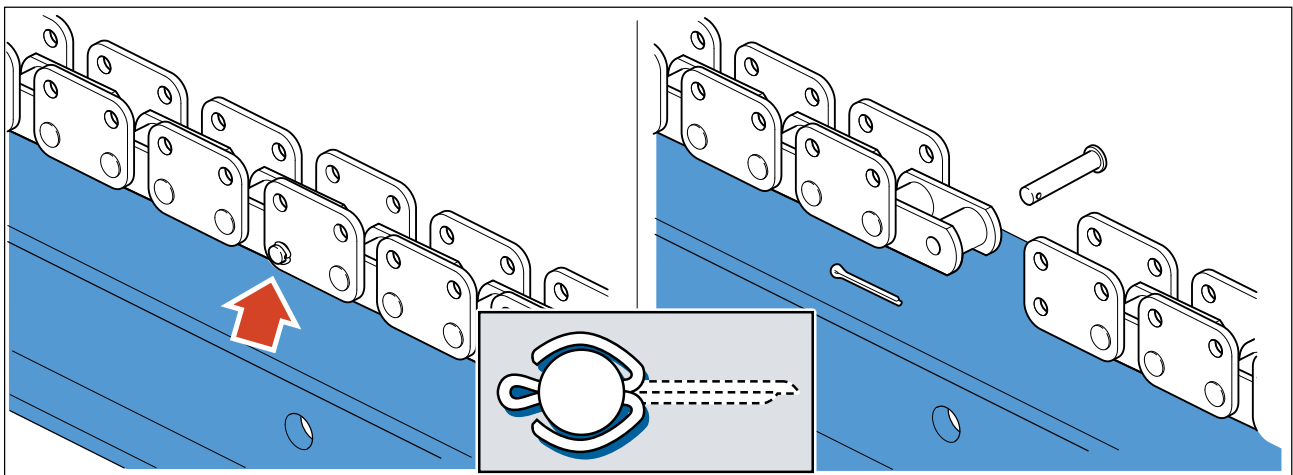


CAUTION: Once the joining pin is removed, the weight of the chain will cause it to swing or fall, take care to either secure the chain or make sure that it will not cause any damage when released.

Remove the split pin and press out the joining pin.

Replacement is the reverse of removal, apply grease to the holes and pin before fitting.

Fit a new split pin and ensure that the ends of the split pin are securely bent over before running.



CAUTION: Before operating the trencher, set the chain tension following the 'Chain Adjustment' instructions on page 28.

Cutting Tooth Maintenance

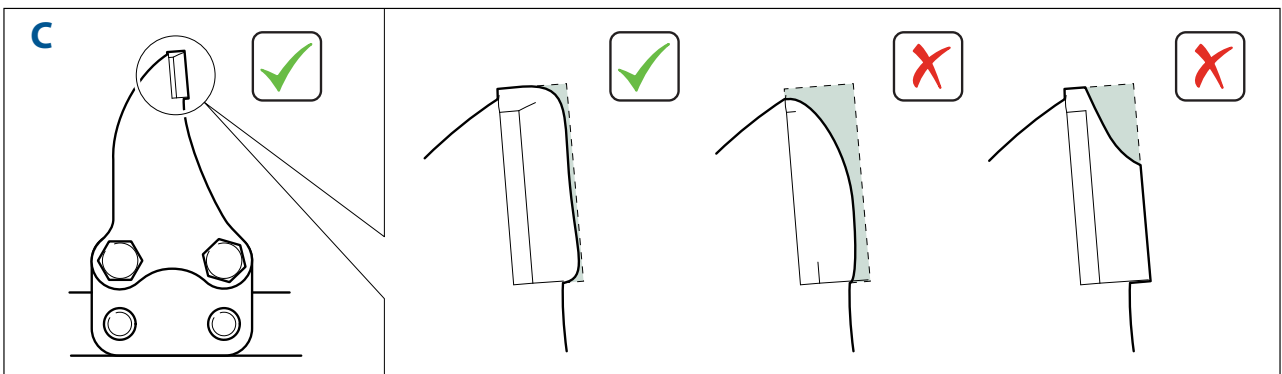
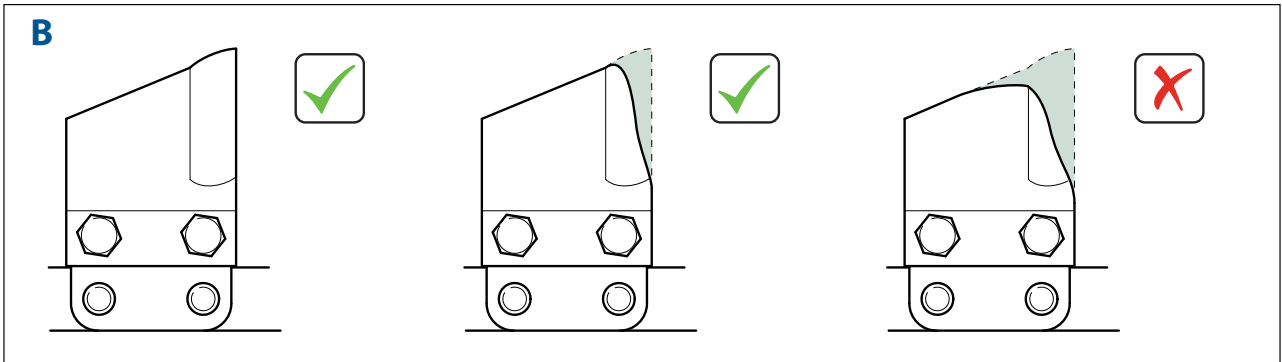
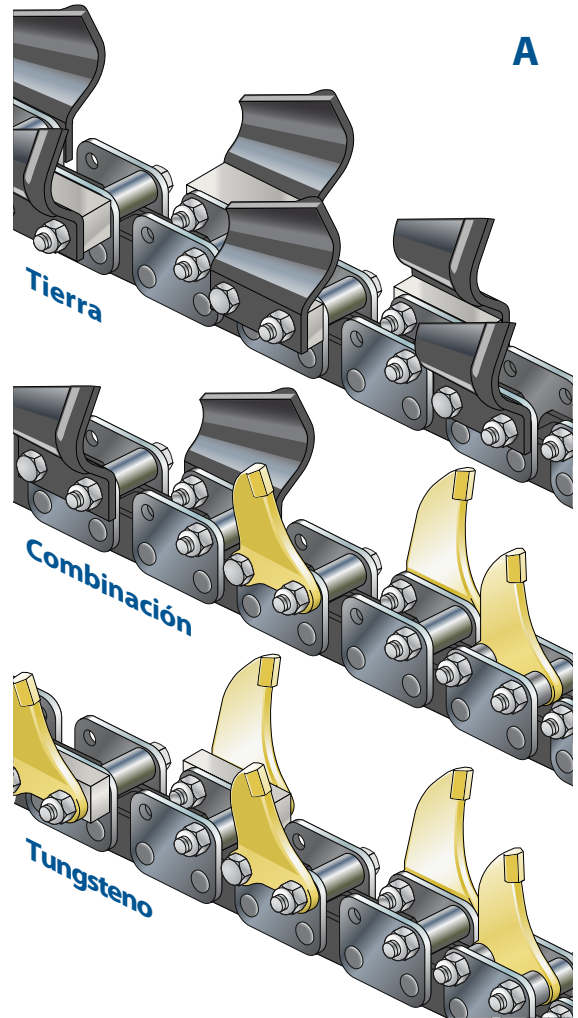
To cope with different types of trenching conditions, Auger Torque trenching chains are supplied fitted with interchangeable 'Earth' or 'Tungsten' teeth, or a combination of both types (Fig A).

The teeth are bolted directly to the chain, or with spacers to provide a range of trench widths.

After prolonged use, the cutting teeth will show signs of wear and eventually become inefficient.

Fig B shows acceptable levels of wear for the earth teeth.

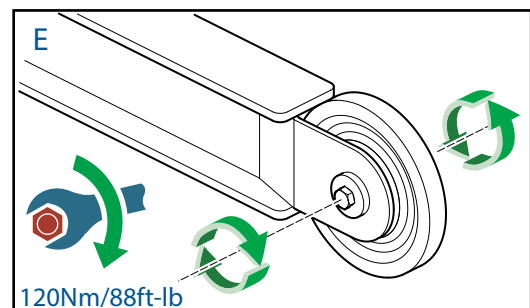
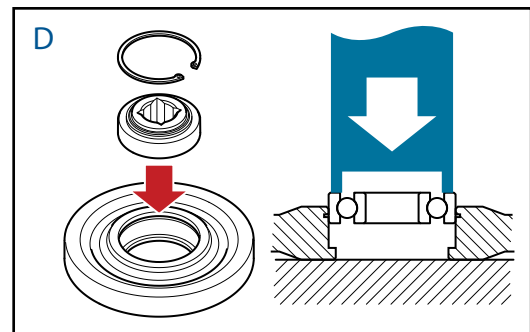
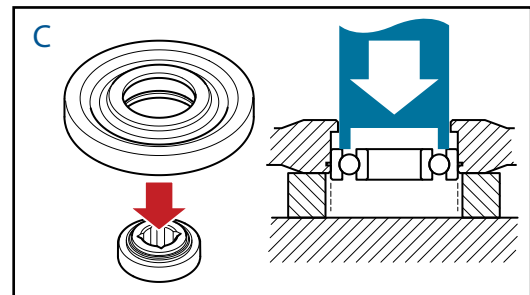
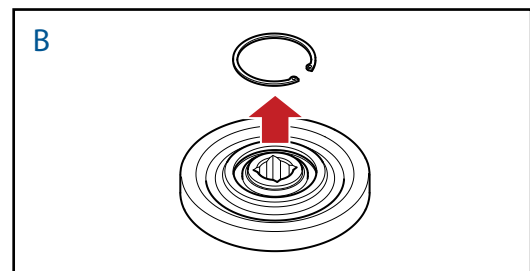
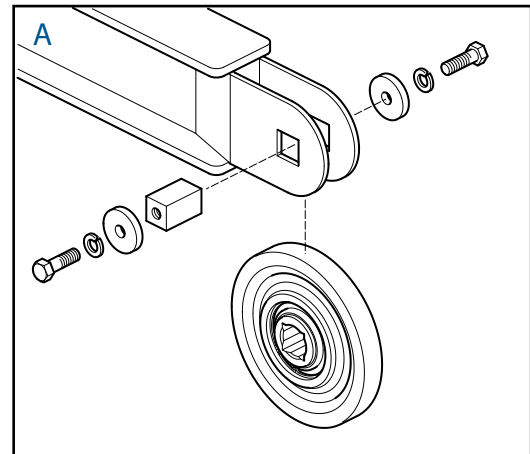
Tungsten tooth wear limits are shown in Fig C.



Nose Roller Bearing Replacement

To remove the Nose Roller, first remove the chain as described in 'Chain Removal/Replacement' on page 29.

- A** The Nose Roller is attached by 2 bolts, 2 spring washers and 2 special washers, which secure a square pin between the ears of the boom. Removing either of the bolts with its washers will enable the square pin to be withdrawn and free the nose roller. The bearing is retained by a shoulder on one side and circlip on the other.
 - B** Remove the circlip with a pair of internal circlip pliers.
 - C** Press out the bearing, ensuring that the roller is supported close to the opening, leaving enough space below for the bearing to clear the hole.
 - D** To fit a new bearing, invert the roller on a flat surface. Check the mating surfaces and the circlip groove to ensure they are clear of obstructions. Press in the new bearing with an adaptor that applies pressure only to the outer journal of the bearing. Ensure that the bearing clears the circlip groove and sits against the shoulder at the bottom of the hole. Refit the circlip.
- Refit the nose roller (refer to Fig A for correct sequence of components).
- E** Tighten both bolts to 120Nm/88ft-lb.



Sprocket Removal & Replacement - MT/MT_{DD} Trencher

To remove the sprocket, first remove the chain as described in 'Chain Removal/Replacement' on page 29.

Step 1

Spoil auger removal. Ensure hydraulic oil supply has been disconnected. Secure the trencher in a stable position. Remove fasteners assembly (1) from the spoil auger (2). Retract the spoil auger (2) from the output shaft (3).

Refitting is the reverse of removal; ensure the fastener assembly is tightened to a torque of 130Nm/96ft-lb.

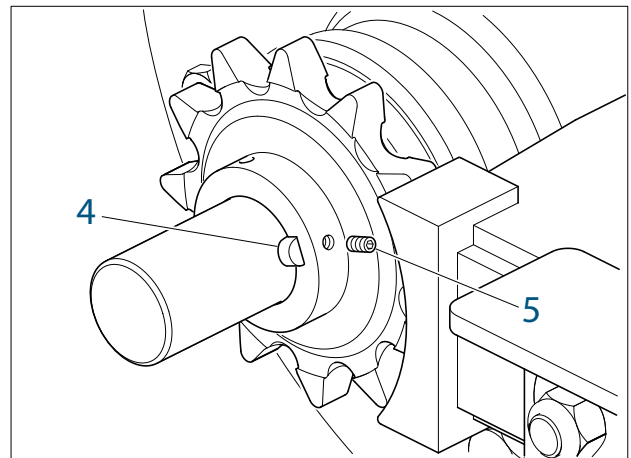
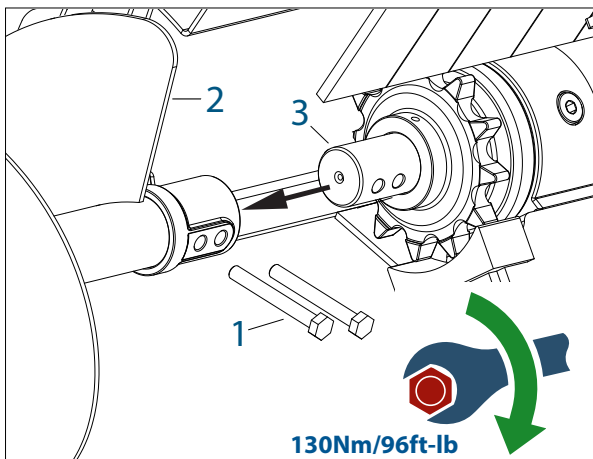
Step 2

Sprocket removal. Rotate the sprocket until the locating key (4) and setscrew (5) are visible.

Loosen the setscrew and slide the sprocket from the output shaft.

Prior to fitting a new sprocket, ensure that the shaft is free from dirt and debris and apply grease to the mating surfaces.

Slide the sprocket on to the shaft ensuring that the key aligns with the slot and the sprocket is tight against the seal protector before tightening the setscrew.



Sprocket Removal & Replacement - XHD Trencher

To remove the sprocket, first remove the chain as described in 'Chain Removal/Replacement' on page 29.

Step 1

Spoil auger removal. Ensure hydraulic oil supply has been disconnected. Secure the trencher in a stable position. Remove fasteners assembly (1 & 2) from the spoil auger (3). Retract the spoil auger (3) from the output shaft (4).

Refitting is the reverse of removal; ensure the fastener assembly is tightened to a torque of 120Nm/88ft-lb.

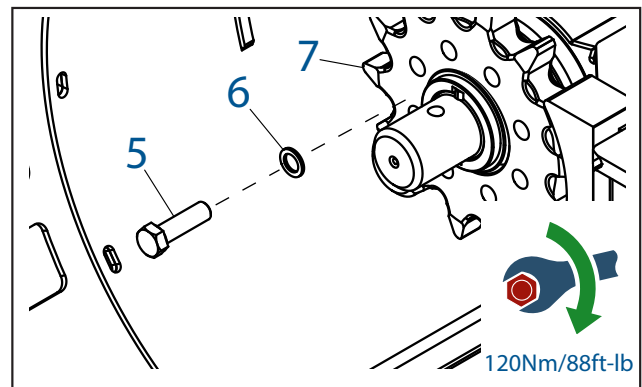
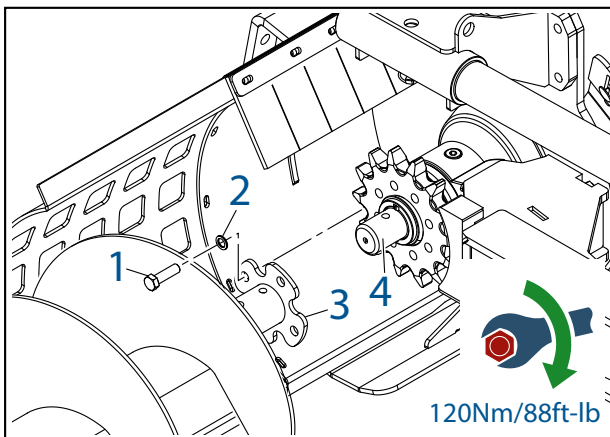
Step 2

Sprocket removal. Remove fastener assembly (5 & 6)

Remove sprocket (7)

Prior to fitting a new sprocket, ensure that the shaft is free from dirt and debris and apply grease to the mating surfaces.

Refitting is the reverse of removal; ensure the fastener assembly is tightened to a torque of 120Nm/88ft-lb.



TROUBLESHOOTING

IF IN DOUBT ASK! - Seek Auger Torque / parent machine dealer for advice & repair.

BE SAFE - only use genuine Auger Torque / parent machine spare parts.

MOUNTING FRAME - ASSEMBLY		
FAULT	POSSIBLE CAUSE	ACTION
Mounting frame does not fit parent machine	<p>Incorrect or non-genuine mounting frame being used</p> <p>Damaged / worn parts</p>	<p>Refer to both this manual and parent machine's operating assembly instructions</p> <p>Repair or replace with genuine mounting frame</p>
MOUNTING FRAME - OPERATION		
FAULT	POSSIBLE CAUSE	ACTION
Excessive movement in locating pins	<p>Incorrect or worn locating pins</p> <p>Parent machine pin location / linkage frame pin location worn</p> <p>Damaged parts</p>	<p>Replace with correct new parts</p> <p>Seek advice from parent machine dealer</p> <p>Seek advice from Auger Torque / parent machine dealer. Only use genuine spare parts</p>
TRENCHER UNIT - ASSEMBLY		
FAULT	POSSIBLE CAUSE	ACTION
Trencher Unit will not fit mounting frame	<p>Incorrect / incompatible or non genuine mounting frame / Trencher Unit</p> <p>Damaged parts</p>	<p>Obtain & fit correct and compatible genuine parts</p> <p>Seek advice from Auger Torque dealer. Only use genuine spare parts</p>
Excessive movement in locating pins	<p>Incorrect or worn pins</p>	<p>Replace with correct new genuine parts</p>
TRENCHER UNIT - OPERATION		
FAULT	POSSIBLE CAUSE	ACTION
Trencher drive output shaft does not rotate	<p>No oil flow</p>	<p>Check that quick release coupler(s) are correctly engaged to parent machine</p> <p>Check that parent machine hydraulic system is operating correctly and has sufficient oil of the correct grade (refer to parent machine operating instructions)</p>

TRENCHER UNIT - OPERATION

FAULT	POSSIBLE CAUSE	ACTION
Trencher drive output shaft does not rotate	Parent machine pressure relief valve faulty or set too low	Test, reset or replace to parent machine's specification
	Trencher unit seized	Seek advice from Auger Torque dealer
	Trencher jammed in ground	Reverse Trencher Chain
Slow Trenching speed / slow rotation of Trencher Unit output shaft	Insufficient oil flow from parent machine	Check that parent machine hydraulic two way flow system is operating correctly and has sufficient oil of the correct grade
	Incompatible Trencher Unit to parent machine combination	Check specification. Seek advice from Auger Torque dealer
	Worn Trencher Unit hydraulic motor possibly due to incorrect or dirty oil supply	Seek advice from Auger Torque dealer. Only use genuine spare parts.
Trencher stalls during work	Parent machine pressure relief valve faulty or set too low	Change parent machine hydraulic oil and filter before fitting replacement drive unit
	Restricted oil flow	Reset/replace pressure release valve to parent machine's specification
	Blocked hydraulic filter	Check for damaged or incorrect hydraulic hoses and connections Change parent machine filter and oil
	Excessive parent machine pull on Trencher	Reduce machine pull on Trencher
	Insufficient parent machine hydraulic pressure	Check that parent machine oil pressure meets with Trencher Unit requirements
	Incompatible Trencher / parent machine combination	Check specification. Seek advice from Auger Torque dealer

WARRANTY STATEMENT

Auger Torque provide a LIFETIME parts replacement warranty on the dislodgement of the Earth Drill shaft and any failure of the Shock Lock system to prevent loss of teeth under normal operating conditions.

All Auger Torque products are warranted to be free from defects in materials or workmanship for the periods summarised below:

- Planetary Gearbox Components - 72 Months
- Hydraulic Motors - 36 Months
- All Other Parts / Products - 12 Months

The warranty periods will commence from Date of Sale by an authorised Auger Torque Dealer. Evidence of the date of sale may be required and for Planetary and Hydraulic Motor warranties to be valid the product must be registered with Auger Torque within 4 weeks of the date of sale. Extended Warranty (>12 months) Products can be registered by returning the Registration Card or completing the form on page 7. This warranty is not transferable beyond the initial purchaser of the product.

A warranty claim should be reported to the Auger Torque Dealer who supplied the unit. The Dealer, with the technical backup of Auger Torque, will make an initial assessment.

The customer is responsible for returning the product for warranty inspection to the original supplying dealer's facility. Parts should not be delivered without the prior agreement of the dealer or Auger Torque.

During the warranty period Auger Torque, at its option, will repair or replace any parts free of charge determined as defective by Auger Torque. Such repairs will be undertaken by Auger Torque or its nominated representative at an Auger Torque facility or a location deemed suitable by Auger Torque. Auger Torque are not liable for any associated costs relating to a warranty failure.

Parts repaired or replaced by Auger Torque are then covered by this warranty for the remainder of the original warranty as if such parts were original parts.

Products or parts which, as determined by Auger Torques examination, show wear from normal use, have been improperly operated, damaged by accident or negligence, altered or modified are not considered defective and are not covered by this warranty.

This warranty is void if any attempt is made to make field repairs unless these have been pre-approved in writing by Auger Torque.

This warranty is void if the products are not serviced in-line with the instructions in the Operators Manual. Particular care should be taken to perform regular oil changes in gearboxes.

This warranty is exclusive and in-lieu of any other expressed warranties. There are no warranties of merchantability or fitness for a particular purpose. Auger Torque shall not be liable for any consequential, incidental or punitive damages, losses or expenses, including those resulting from or caused by any defects.

As you would expect from Auger Torque, with our extensive experience and product reliability we'll always go the extra mile to keep you working.



YOUR DEALER IS

Auger Torque Europe Ltd

Hazleton
Cheltenham
GL54 4DX
England

Tel: +44 (0) 1451 861652

Fax: +44 (0) 1451 861660

Email: sales@augertorque.com

Auger Torque Australia Pty Ltd

122 Boundary Rd
Rocklea
Queensland 4106
Australia

Tel: +61 (0) 7 3274 2077

Fax: +61 (0) 7 3274 5077

Email: sales@augertorque.com.au

Auger Torque USA LLC

2640 Jason Industrial Parkway
Winston, GA 30187
USA

Tel: (+1) 844 287 6300

Fax: (+1) 770 947 9916

Email: sales@augertorqueusa.com

www.augertorque.com



Products and specifications subject to change without prior notice.

Some products may not be available in your country or region.

AUGER TORQUE, SHOCK LOCK™, NDS™ and the AUGER TORQUE LOGO are trademarks of Auger Torque Europe Ltd © 2021 Auger Torque Europe Ltd. All Rights Reserved.