

EARTH DRILL QUICK START GUIDE

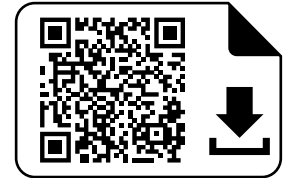


This Auger Torque quick start guide will enable you to get your new product up and running in no time. The complete operators manual is available on the Auger Torque website. To download a copy in pdf format, simply scan the QR code or visit www.augertorque.com.

99-95200025 - ISSUE 1-0

ENGLISH

For warranty purposes this product MUST be registered with Auger Torque within 14 days of purchase by the end user.



MOUNTING - HITCH FITTING

There are two types of Pin for fitting the hood to the Mounting Hitch (1):

The **Threaded Mounting Pin** (item 2, Fig B) has a locating plate with a hole that fits over a peg in the hood ear. Align the Pin holes, fit the Pin (2), washer (3) and nylon insert nut (4) and torque to 100Nm/74ft-lb.

To fit the **Through-Bolted Mounting Pin** (item 5, Fig C), align the Pin holes and push the Pin (5) fully home taking care to line up the Through Bolt holes. At both ends of the Pin fit the Through Bolts (6) and Nylon Insert Nuts (7) and tighten to 26Nm/19ft-lb.

Single Pin Hitch

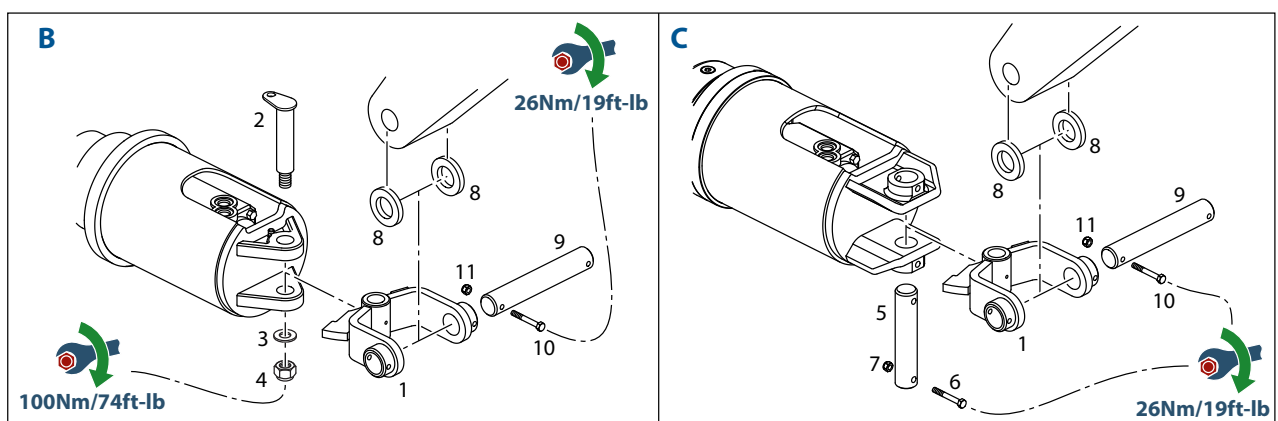
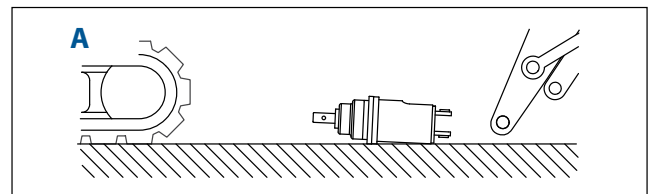
NOTE: The single Pin Hitch **CANNOT** be fitted to a quick Hitch.

Set the Earth Drill unit horizontally, with the output shaft towards the parent machine as in Fig A.

Fitting to the parent machine is with through-bolted Pins in all cases:

Align the Pin holes of the mounting Hitch (1) and parent machine. Align bolt location holes fit spacers (8) if required to centralise the Hitch. Push the Pin (9) fully home, taking care to line up the Through Bolt holes. Fit the Through Bolts (10) and Nylon Insert Nuts (11) and tighten to 26Nm/19ft-lb.

Once fitted, check the Earth Drill swings freely in all directions.



Double Pin and Double Pin Cradle Hitch

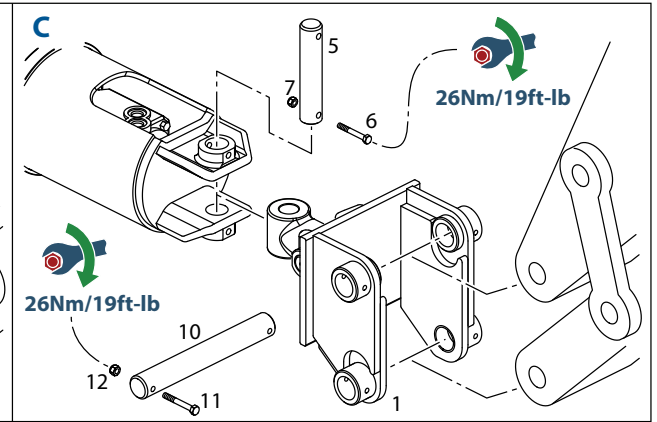
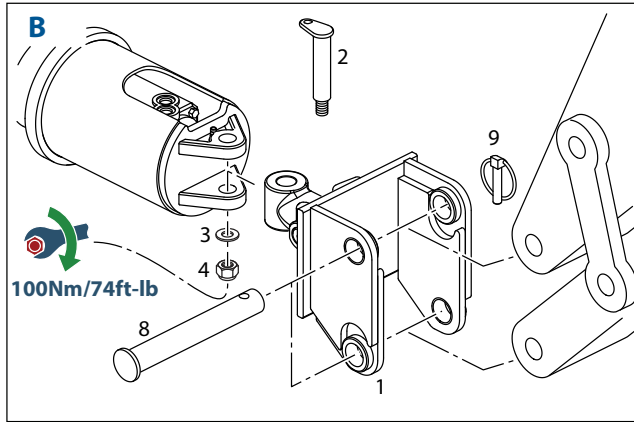
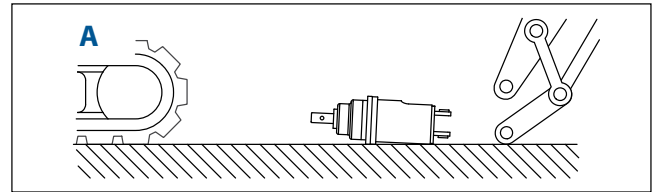
There are two types of Pin for fitting the Mounting Hitch (1) to the Parent Machine:

To attach a **Linch Pin** fitting (item 8, Fig B), align the Pin holes, push the Pin (8) fully home and fit the linch Pin (9).

To fit the **Through-Bolted Mounting Pin** (10, Fig C), align the Pin holes and push the Pin (10) fully home taking care to line up the Through Bolt holes, fit the Through Bolts (11) and Nylon Insert Nuts (12) and tighten to 26Nm/19ft-lb.

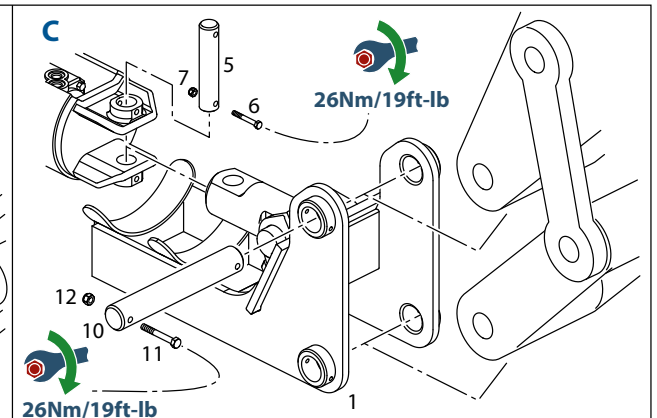
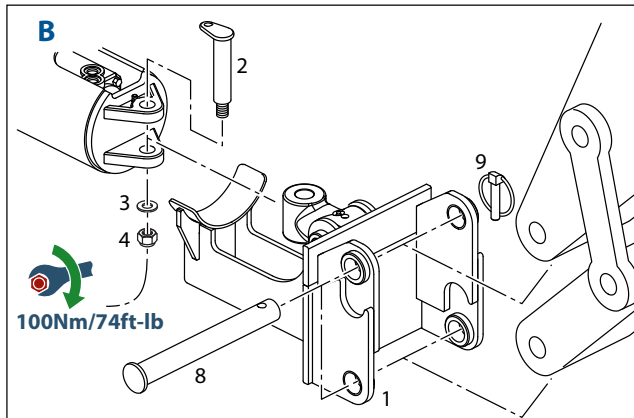
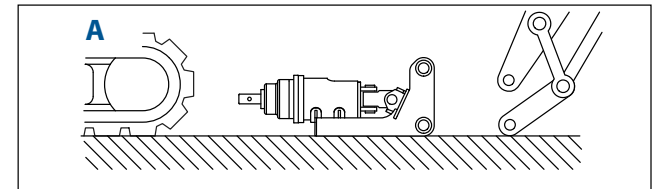
Double Pin Hitch

Set the Earth Drill unit horizontally, with the output shaft towards the parent machine as in Fig A.



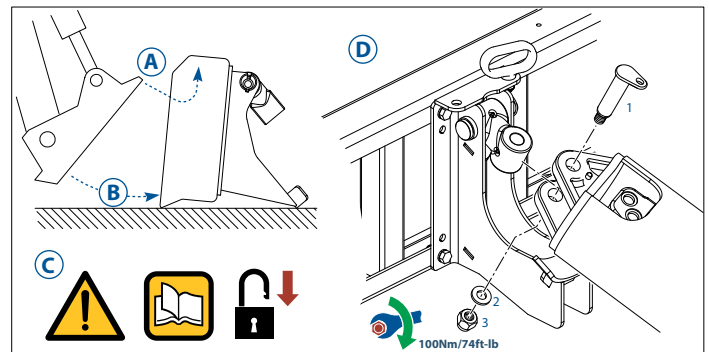
Double Pin Cradle Hitch

Set the Earth Drill unit horizontally in the cradle, with the output shaft towards the parent machine as in Fig A.



Skid Steer Loader & Telehandler

- Slot the top of the parent machine frame under the top edge of the Mounting Frame or Locating Hooks (refer to parent machine operator's manual).
- Swing the parent machine frame to the vertical position.
- Following the parent machine operator's manual, ensure that the Mounting Frame is securely locked in place.
- Working as a pair, lift the Earth Drill in to place with the port opening facing upwards. Align hood ears with the hole in the linkage block. Secure the Earth Drill with the Pin (1), Washer (2) and Nylon Insert Nut (3) and torque to 100Nm/74ft-lb.



MOUNTING - TRUCK CRANE

Linkage Block

Set the Earth Drill Unit horizontally, with the output shaft towards the parent machine as in Fig A.

The Threaded Mounting Pin has a locating plate with a hole that fits on a peg in the hood ear Fig B. Align the Pin holes in the hood ears and Linkage Block (1), fit the Pin (2), Washer (3) and Nylon Insert Nut (4) and torque to 100Nm/74ft-lb.

Align the holes in the Linkage Block (1) with the attachment ears on the parent machine Fig B.

Insert the mounting Pin (5) and spring clip (6).

Once fitted, check that the Linkage Block swings freely.

Mounting points may differ. (refer to parent machine operator's manual for further information).

Attach Extension Clamp

Dedicated extension clamps are supplied for each model of truck crane.

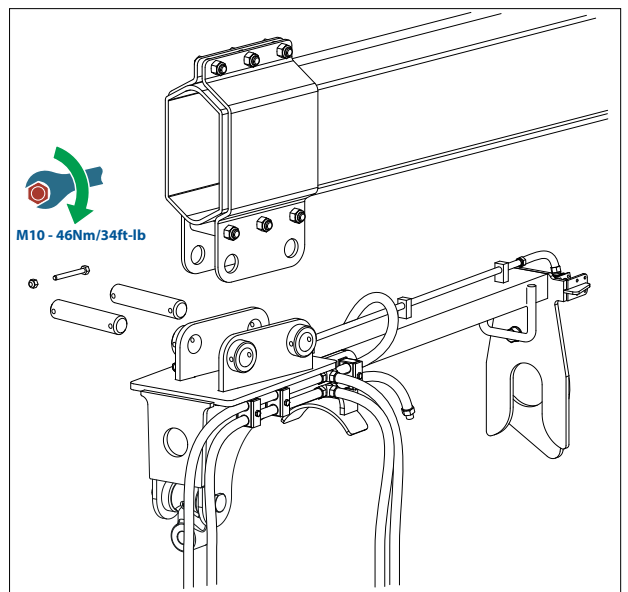
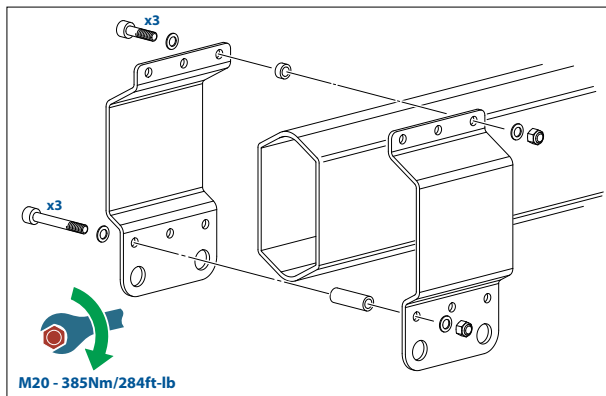
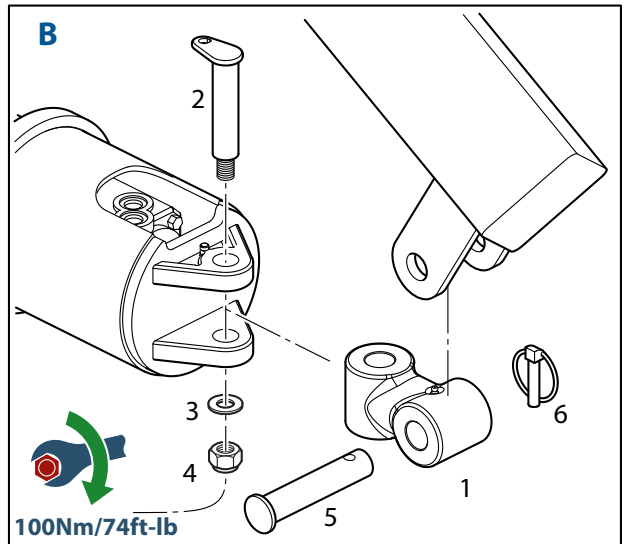
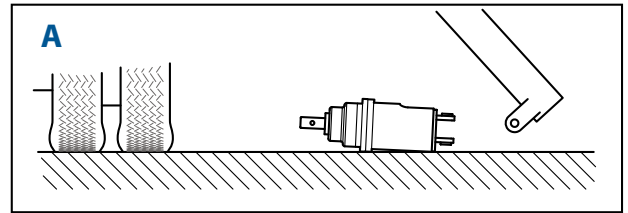
Fit the 2 halves of the boom clamp with M20 bolts, Nylon Insert Nuts, Washers & Spacers provided and torque to 385Nm/284ft-lb.

Note: To prevent the bottom of the clamp from flaring out, the bottom bolts should always be tightened before the top bolts.

Attach Rope Wind Hitch

Fit the hitch with the 2 pins and secure with M10 bolts & nuts. Tighten to 46Nm/34ft-lb.

The Rope Wind Hitch is supplied with a Linkage Block fitted.



HYDRAULIC CONNECTIONS

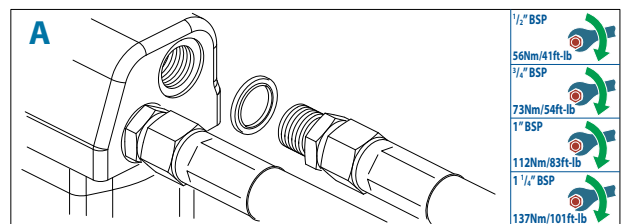
It is critical that the supply of oil is within the stated flow & pressure limits for the particular Earth Drill.

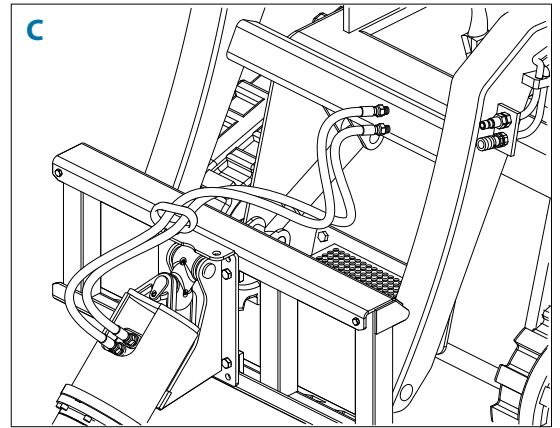
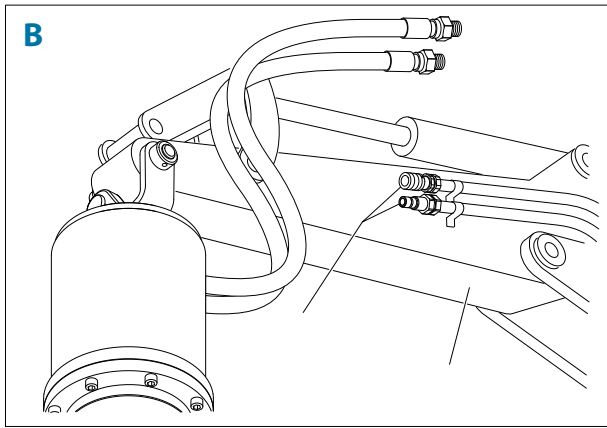
Refer to the serial plate on the top of the Earth Drill hood.

When fitting hydraulic hoses, ensure that they are tightened to the correct torque for the hose fittings (Fig A).

Quick Release Couplers are required for connection to the parent machine, but may not be supplied with the unit. These can be sourced locally and should be compatible with the auxiliary hydraulic Quick Release Couplers on the parent machine (Figs B & C). The parent machine auxiliary hydraulic connections are normally located near the end of the loader arms, excavator dipper or truck crane booms.

Ensure that the drilling rotation of the Earth Drill Unit is clockwise.





Rope Wind Hitch

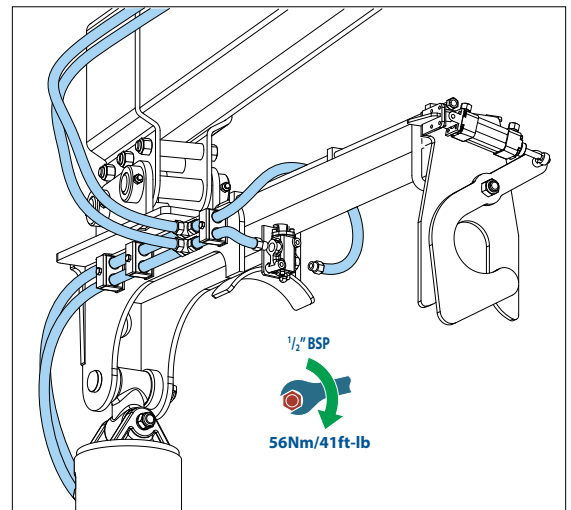
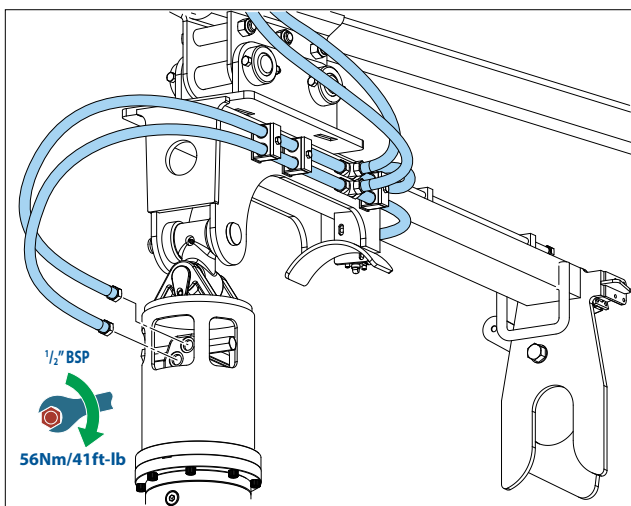
Attach Hydraulic Hoses - Earth Drill

Fit the hoses to the motor ports. Tighten to 56Nm/41ft-lb.

Attach Hoses - Earth Drill Stop Valve

A hydraulic valve is fitted at the top of the rope wind hitch. The purpose of the valve is to stop the rotation of the Auger when it reaches its stowed position. This function is described in more detail in the operators manual.

Fit the hoses to the Earth Drill Stop Valve. Tighten to 56Nm/41ft-lb.



FITTING THE AUGER

CHECK that the Auger is the correct model and type to fit the Earth Drill Unit.

ENSURE that the Auger connections are clean before fitting.

USE suitably rated lifting equipment if required (see data plate for weight).

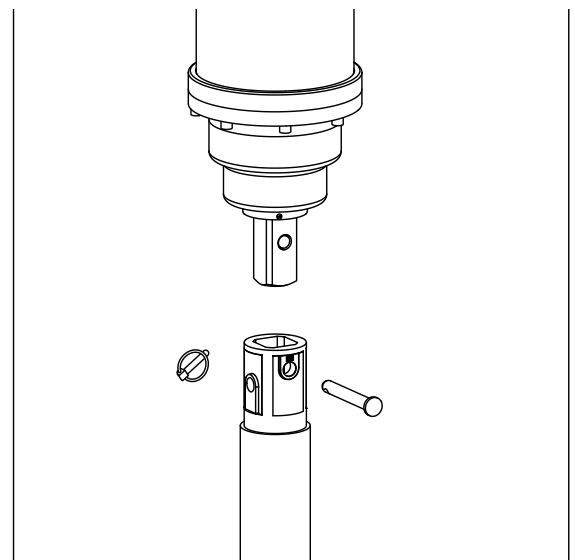
Position the Auger in the vertical work position and support it so that it cannot fall over.

Position the Earth Drill over the Auger and align the pin holes.

Lower the Earth Drill Unit onto the Auger.

Locate the Auger Drive Pin.

Secure the Auger Drive Pin with Linch Pin.



06-05-2021