

Auger Torque's Earth Drills are built to the most exacting standards using only high quality materials and the latest manufacturing techniques available.

FORGED HOOD EARS

Standard with all Earth Drills in areas that we know will take a lot of strain. All hood pins are locked for extra safety making it impossible for the hood to detach from your hitch.



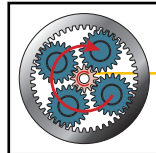
HOSES & ADAPTORS

All Earth Drills come standard with high quality hoses and adaptors (excludes larger units. QRC's not included).



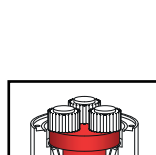
HIGH QUALITY HYDRAULIC MOTORS

Auger Torque's huge buying power means we work closely with high quality suppliers to develop the most reliable attachments available on the market today.



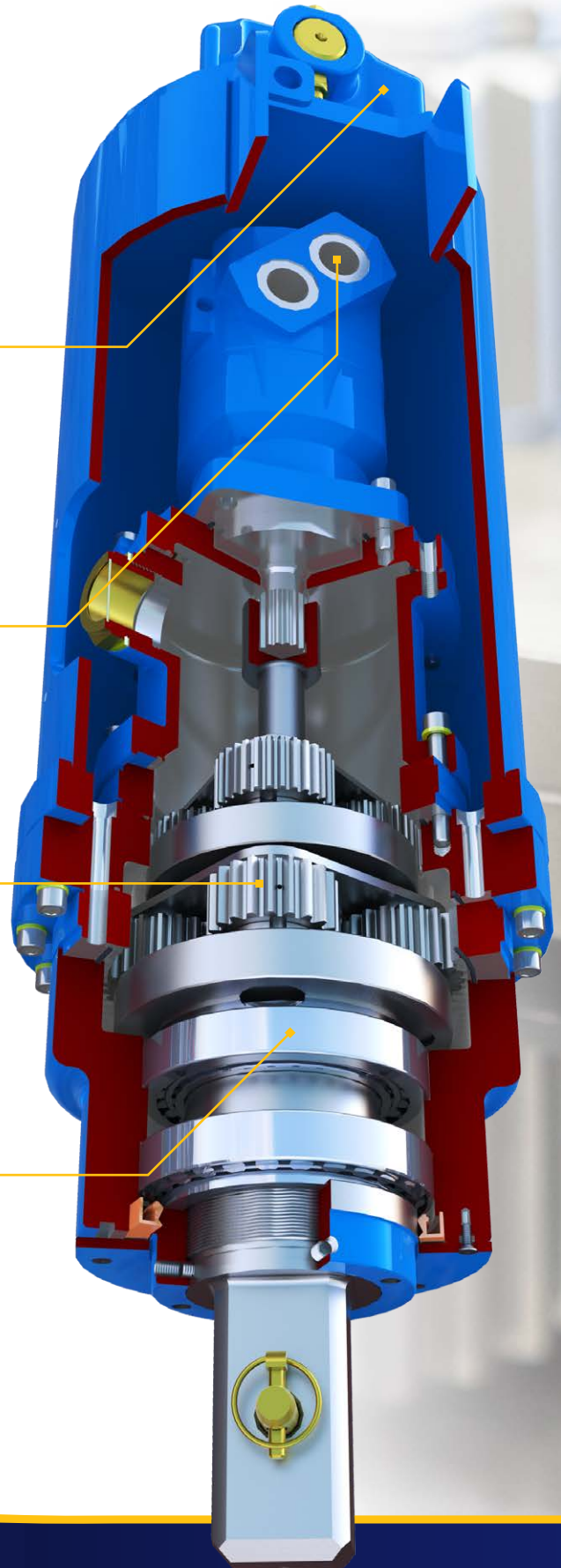
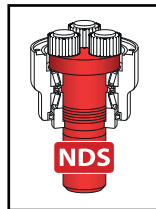
EPICYCLIC GEARBOX

Torque is amplified by using the unique Auger Torque planetary gearbox. This system allows the motors output torque to be multiplied with extreme efficiency as well as ensuring the durability and reliability you need.



NON-DISLODEMENT SHAFT

Unique to Auger Torque, the Non-Dislodgement Shaft is a single piece drive shaft assembled top down and locked into the Earth Drill housing. This design guarantees that the shaft will never fall out, making for a safer work environment, not only for the operator but also any surrounding workers, a **MUST-HAVE FEATURE** for any safety conscious company.



Visit the Auger Torque website to watch a demo

www.augertorque.com

CALL 01451 861652

EMAIL sales@augertorque.com

OR CONTACT YOUR NEAREST DEALER